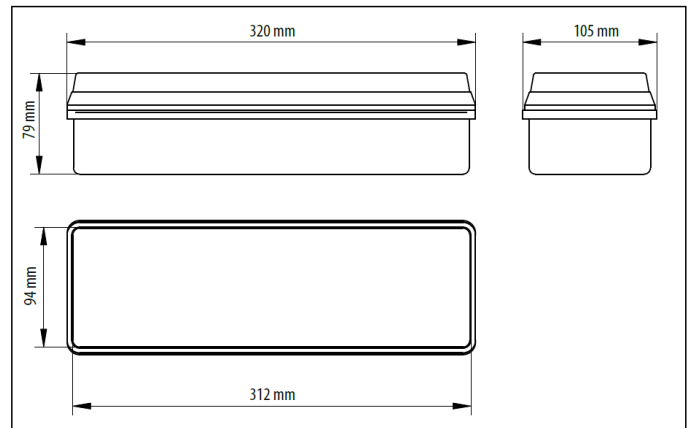




# CLEVER LIGHT CL-612 SLAVE/MB



<b>Luminaire</b>	Addressable with main battery
<b>Mounting</b>	On sidewall or ceiling
<b>Lamp</b>	LED/50 000h
<b>Lamp power</b>	2W
<b>Warranty</b>	2 years repair warranty
<b>Standby duration</b>	1-3h
<b>Housing</b>	Polycarbonate
<b>Color of housing</b>	White
<b>Operation</b>	Standby
<b>Mains supply</b>	120-240VAC 50-60 Hz
<b>Input current</b>	30mA
<b>Battery</b>	Ni-Mh
<b>Protection category</b>	IP65
<b>Certification</b>	TÜV, CE



CL-612	Escape route 2m wide 1 lux min				Open (anti-panic) area 0.5 lux min			
	Transverse to wall	Transverse to transverse	Axial to wall	Axial to Axial	Transverse to wall	Transverse to transverse	Axial to wall	Axial to Axial
<b>2.5</b>	3.4	8.7	2.85	7.15	4.4	10	3.65	8.75
<b>3</b>	3.55	9.25	3.1	7.6	4.7	11.7	3.85	9.55
<b>4</b>	3.6	10	3.15	8.2	5	13	4.15	10.55
<b>6</b>	3.15	9.85	3.2	8.8	4.95	14.35	4.45	11.65
<b>8</b>	1.4	8.75	1.2	8.9	4.6	14.25	4.6	12.4
<b>10</b>	1	4	0.3	5.4	3.4	13	3.3	12.4