

METAL SOUND PROJECTORS

➤ CELL 10T/EN ➤ CELL 10T/ENC

EN54-24



TECHNICAL SPECIFICATIONS

EN54-24:2008

Certificate No: 0359-CPD-0164 TYPE B

ELECTRICAL

Rated power, Watts	10
Tappings 100 volt line, Watts	10/5/2.5/1.25
Transformer Impedance, Ohms 100V	1k/2k/4k/8k
Tappings 70.7 volt line, Watts	5/2.5/1.25/0.625
Driver impedance, Ohms	8
Effective Frequency Range, Hz (BSEN60268-5)	120 - 18k
S.P.L. @ 4m, 1watt, dB, 1/3 Octave, 1KHz	62
S.P.L. @ 1m, 1watt, dB, Test Signal Bandwidth 100Hz-10kHz	91
S.P.L. @ 4m, Full power, dB, 1/3 Octave 1KHz	74
S.P.L. @ 1m, Full power, Test Signal Bandwidth 100Hz-10kHz	101
Dispersion at 1k/2k Hz, Degrees	180/120

ENVIRONMENTAL

IP-Rating	33
Max/Min Amb Temp	70°/-25°C
Relative Humidity	≤95%

MECHANICAL

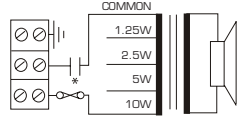
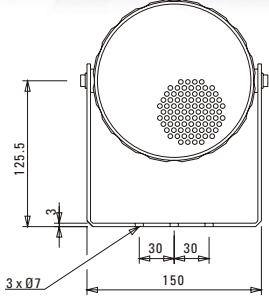
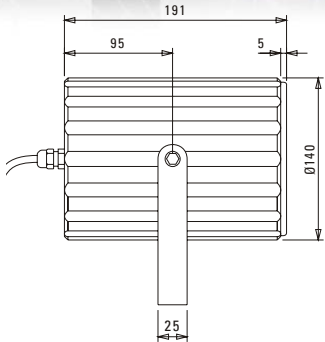
Dimensions, front dia x D, mm	140 x 191
Net Weight, Kgs	1.9
Colour (Unless Specified)	RAL9016
Material	Aluminium with Stainless Steel Hardware. Aluminium grill
Mounting	Aluminium U bracket

- CELL 10T/ENC is supplied with capacitor for DC line monitoring

CELL 10T/EN

CELL 10T/ENC

METAL SOUND PROJECTORS



CELL 10T/EN
CELL 10T/ENC
*with capacitor

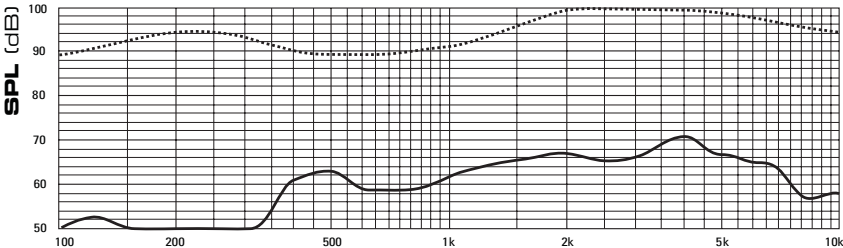
WITH TRANSFORMER: 100V/70V LINE

	WHITE WIRE PLUS TAPPING				BLACK
100V	1.25W	2.5W	5W	10W	COM
70V	0.625W	1.25W	2.5W	5W	COM
IMP (Ω)	8K	4K	2K	1K	

DISPERSION ANGLES

		HORIZONTAL	VERTICAL
1 OCT. PINK NOISE	500 Hz	180°	180°
1 OCT. PINK NOISE	1K Hz	180°	180°
1 OCT. PINK NOISE	2K Hz	120°	120°
1 OCT. PINK NOISE	4K Hz	80°	80°

FREQUENCY RESPONSE



..... Sensitivity 100Hz-10000Hz Oct. (Pink noise 1W/1 Meter)
 ——— Sensitivity 100Hz-10000Hz 1/3 Oct. (Pink noise 1W/4 Meters)
 * Active Equalizer Applied: YES
 (EQ Setting: +3.5dB@630Hz, +3.5dB@800Hz, -3.5dB@1250Hz, -3.5dB@1600Hz, -2.5dB@4KHz)

The CELL10T/EN & CELL10T/ENC have been tested for 100 hours at a maximum power of 10W. Both units did not deviate by more than +/- 3dB. The frequency response and impedance curves remained constant throughout the test period. All results are in full compliance with the requirements of EN54-24



Penton UK Ltd
 Unit 2 Teville Industrials | Dominion Way | Worthing | West Sussex | BN14 8NW
 T: +44 (0)1903 215315 | F: +44(0)1903 215415 | E: SALES@PENTONUK.CO.UK

www.pentonuk.co.uk

