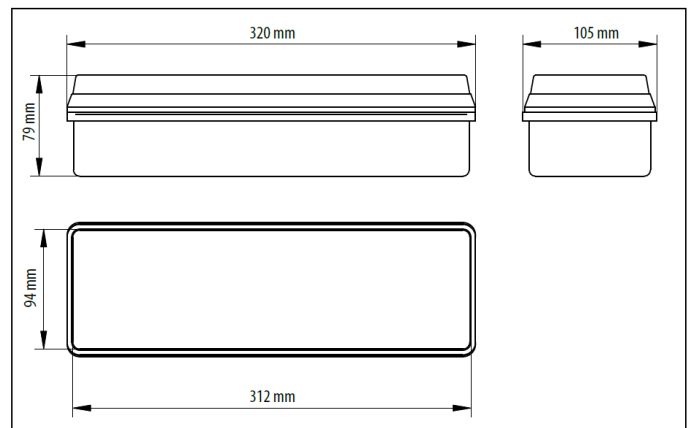




CLEVER LIGHT CL-612 SLAVE/CB



Luminaire	Addressable with central battery
Mounting	On sidewall or ceiling
Lamp	LED/50 000h
Lamp power	2W
Warranty	2 years repair warranty
Standby duration	-
Housing	Polycarbonate
Color of housing	White
Operation	Standby
Mains supply	120-240VAC 50-60 Hz
Input current	30mA
Battery	Central battery
Protection category	IP65
Certification	TÜV, CE



CL-612	Escape route 2m wide 1 lux min				Open (anti-panic) area 0.5 lux min			
	Mounting height (m)	Transverse to wall	Transverse to transverse	Axial to wall	Axial to Axial	Transverse to wall	Transverse to transverse	Axial to wall
2.5	3.4	8.7	2.85	7.15	4.4	10	3.65	8.75
3	3.55	9.25	3.1	7.6	4.7	11.7	3.85	9.55
4	3.6	10	3.15	8.2	5	13	4.15	10.55
6	3.15	9.85	3.2	8.8	4.95	14.35	4.45	11.65
8	1.4	8.75	1.2	8.9	4.6	14.25	4.6	12.4
10	1	4	0.3	5.4	3.4	13	3.3	12.4