

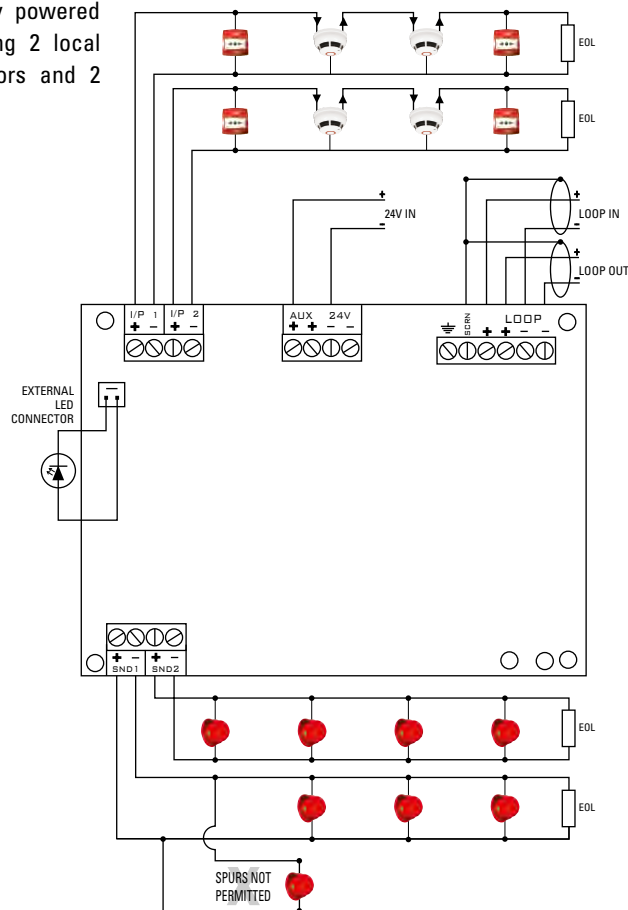
6000/2APZA Auxiliary Powered Dual Zone Alarm Interface

- 2 x Monitored Detection Zones
- 2 x Monitored Alarm Outputs
- Auxiliary 24vDC Powered
- DIN Rail Mounted
- Integral Short Circuit Isolator
- Protec Algo-Tec 6000 Protocol



The Protec 2 way auxiliary powered zone alarm interface is an auxiliary powered input / output device providing 2 local zones of conventional detectors and 2 local monitored alarm outputs.

Wiring Diagram



Technical Specification

Loop protocol	Protec Algo-tec™ 6000 MX1
Loop isolator fitted	Yes, on board (consult Protec DEL2110 for details)
Loop voltage range	18 to 28V peak loop
Number of loop addresses used	2 maximum, user and build configurable
24V Auxiliary input voltage range	18 to 28V dc
Environmental operational limits	-10 to 50°C (maximum 95% RH no condensation or icing)
Loop quiescent current (24V loop peak)	0.6mA
Loop alarm current (average)	0.6mA
Zone short circuit current (24V)	26mA peak ± 2mA
Zone end of line requirements (I/P 1 & I/P 2)	Resistive - 8.2k ±5% ¼W, Capacitive - 100µ F ±20% in series with 22Ω ±5% ¼W
Input cabling requirements	Maximum cable resistance 6Ω per conductor Maximum cable capacitance 0.2µ F between cable conductors
Zone quiescent current	500µ A maximum (10 Protec 3000 detectors per zone)
Zone reset time	2 seconds, with active zone discharge
Manual Call Point requirements	Must be fitted with a series 330Ω or 180Ω resistor
Zone short circuit threshold	Below 5% of supply voltage
Zone fire threshold	Below 70% of supply voltage
Zone resistive open circuit threshold	Above 92% of supply voltage
Sounders supported	Protec 3000 series
Sounder circuit end of line	10kΩ ¼W ±5%
Sounder circuit cable requirements	Maximum cable resistance depends on Volt drop calculations Maximum cable capacitance 0.1µ F between cable conductors.
Sounder short circuit fault threshold	Below 2kΩ
Sounder open circuit fault threshold	Above 18kΩ
Sounder current limit (maximum)	1.6A
Sounder circuit fuses	20mm x 5mm 1.6A Quick Blow
Weight	245g (including din rail housing, no backbox, 4 way build)
LED Indicator	Use only high brightness LED (Protec stock code: NK 02-676-46)