

FX2200CF Range



FX2202CF - 2 Zone Control Panel

Overview

The FX2200CF range of conventional control panels provide a solution to any conventional system requirement. The advanced features include a simple "one-shot" user test facility, class change contacts, battery voltage alarms and charger temperature compensation, all included as standard to ensure ease of use and high reliability.

Attention to detail is emphasised by the neat log book holder feature, allowing essential records to be stored close to hand, ready for quick reference.

For larger installations, custom configuration of the panels offers even greater flexibility, allowing project specific requirements to be easily met, in a competitive and cost effective package.

Features

- 1, 2, 4 or 8 zones panels
- Flexible, high specification system
- Surface or semi-flush mounting
- Simple "one-shot" auto-reset user test facility
- Maintenance free poly switch circuit protection, with auto reset
- Class change and programmable fire/fault relay as standard
- Custom configured versions available to meet specific project requirements

Benefits

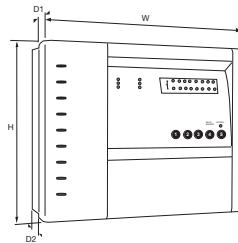
- Suitable for a large range of projects
- No fuses required
- Discreet panel design for incorporation in to any decor
- Numerical access code (no lost keys)
- Easy to maintain/service

Technical Specification

Code	FX2202CF	FX2204CF	FX2208CF
Description	2 Zone Control Panel	4 Zone Control Panel	8 Zone Control Panel
Standards	EN54 Pt2: 1997 + A1: 2006 EN53 Pt4: 19197 + A1: 2002 + A2: 2006 EN50130 Pt4 1996, EN50130 Pt4	EN54 Pt2: 1997 + A1: 2006 EN53 Pt4: 19197 + A1: 2002 + A2: 2006 EN50130 Pt4 1996, EN50130 Pt4	EN54 Pt2: 1997 + A1: 2006 EN53 Pt4: 19197 + A1: 2002 + A2: 2006 EN50130 Pt4 1996, EN50130 Pt4
Specification			
Number of Zones	2	4	8
Detectors per Zone	32	32	32
Number of Alarm Circuits	2 (4 on FX22002CR)	2 (4 on FX22004CR)	4
Alarm Circuit Load	150mA per circuit, 0.3A total	400mA per circuit, 0.8A total	500mA per circuit, 2A total
End Of Line Devices	Detection circuits: EOLM-1 monitoring unit Alarm lines: 6.8KΩ resistor	Detection circuits: EOLM-1 monitoring unit Alarm lines: 6.8KΩ resistor	Detection circuits: EOLM-1 monitoring unit Alarm lines: 6.8KΩ resistor
Auxiliary Fire Signal/Fault Output	5A 24V dc single pole changeover contacts	5A 24V dc single pole changeover contacts	5A 24V dc single pole changeover contacts
Auxiliary DC Output	No*	No*	24V dc fused. 30mA
Repeater Port	No*	No*	Yes
Mains Input Voltage	230V ac -15% +10%	230V ac -15% +10%	230V ac -15% +10%
System Operating Voltage	24V dc	24V dc	24V dc
Standby Duration	24 hours	24 hours	24 hours
Battery (Sealed Lead Acid)	1 x 3.2Ah	1 x 3.2Ah	2 x 3.2Ah
Recharge Period	24 hours	24 hours	24 hours
Environmental			
Operating Temperature	-5°C to +40°C	-5°C to +40°C	-5°C to +40°C
Humidity (Non Condensing)	0 to 75% RH	0 to 75% RH	0 to 75% RH
Physical			
Construction	Polycarbonate housing & back box	Polycarbonate housing & back box	Polycarbonate housing & back box
Dimensions (H x W x D)	Surface: 270mm x 332mm x 90mm Recessed: 279mm x 332mm x 122mm	Surface: 270mm x 332mm x 90mm Recessed: 279mm x 332mm x 122mm	Surface: 270mm x 332mm x 90mm Recessed: 279mm x 332mm x 122mm
Weight	5.2kg	5.8kg	6.0kg
Ingress Protection	IP30	IP30	IP30
Cable Entry	Top: 12x20mm entries with blanking plugs Rear cable entry aperture	Top: 12x20mm entries with blanking plugs Rear cable entry aperture	Top: 12x20mm entries with blanking plugs Rear cable entry aperture

* Available on the FX2202CR and FX2204CR

Dimensions



Description	H (mm)	W (mm)	D1 (mm)	D2 (mm)
1 zone	212	260	72	-
2 / 4 / 8 zone	270	332	45	47

Description	Cut-out (mm)
2 / 4 / 8 zone	265 x327

Note: If surface mounting add D1 and D2 to obtain depth dimension.

Product Codes

Code	Description
FX2202CF	Conventional 2 Zone Panel
FX2204CF	Conventional 4 Zone Panel
FX2208CF	Conventional 8 Zone Panel
FX2202CR	Conventional 2 Zone Panel (configured for use with a repeater)
FX2204CR	Conventional 4 Zone Panel (configured for use with a repeater)
FXRP2200CF	Conventional Repeater Panel
FX22003300 MB	Steel Back Box (for use with FX2202CF/4/8)
MFALOG	Fire Alarm System Log Book

Installation Notes

1. A full set of Installation and User Instructions is supplied with each panel to assist the installer to carry out the work efficiently and safely and the user to perform routine tests.
2. Panels are wall mounted. Surface mounted via 4 x screw fixing holes on back of housing. Use drill template supplied. Recessed mounting requires appropriate cut-out for steel semi-recessing box, which is screw fixed to wall. Panel is then screwed to back box via 4 x screw fixing holes (Note: Single zone panel cannot be recessed).
3. Mains power supply cable must be routed via the designated 20mm conduit entry on the top or rear of the housing. The mains terminal block is provided with maintenance free poly switch protection.
4. Conduit entries are provided on the top of the housing for zone, alarm and output cables. Blanking plugs are supplied for un-used entry holes
5. Rear entry apertures are also provided for back entry.
6. Standby batteries connected via push-on terminal connectors.
7. End of line (EOL) devices are supplied with the panel and must be fitted at the end of each detector and alarm circuit wiring.
8. Front cover is screw fixed. System logbook is stored behind hinged door.
9. Walk test feature permits single person testing for fast and efficient commissioning prior to handover.

System Functionality

1. Normal and supervisor mode facility. Supervisor mode protected by 4 digit security code to prevent unauthorised use.
2. Supervisor mode provides access to test mode, where a "one-shot" test facility can be initiated by the user. When in operation, the user has a period of time in which to put a call point into fire condition, after which the system automatically resets and returns to normal mode.
3. Commissioning walk test feature permits the system to be easily tested after installation and prior to handover. The panel automatically resets and returns to normal operation after a detection device has been tested. Each device can then be tested in turn via the same procedure.
4. Supervisor mode also provides facility to disable the following for maintenance or other purposes
 - each detection zone independently
 - the alarm circuits
5. Non-latching zone facility can be specified on custom configured versions (except 1 zone panel). Enables the direct interconnection of panels in a simple network.

6. An alarm line delay feature can be specified on custom configured versions (except single zone panel). Preset delays of 30 seconds to 2 minutes can be programmed at the factory. Zone LED flashes when fire signal is received and delay is in operation.

User Interface

1. Stylish and robust compact panel with simple 5 button keypad control of all functions.
2. Simple "one-shot" weekly user test with auto-reset facility.
3. Comprehensive power, fire and fault LED indicators and integral piezo buzzer for on-board fire or fault indication.
4. Battery high/low voltage alarm facility.
5. Neat log book storage facility behind hinged door.

Interface Options

1. Class change input facility. Terminals provided for switching of alarm circuits to indicate school/college class change.
2. Programmable 5A 24V dc relay for remote signalling of fire or fault conditions. Selectable by jumper link.
3. Auxiliary 24V dc output power supply provided as standard on 8 zone panel and 2 and 4 zone configured panels.

Detection Capacity

1. Up to 32 detectors per zone. End of line monitoring devices must be fitted and are supplied as standard.
2. Detector circuits are monitored for open circuit, short circuit and detector removal.

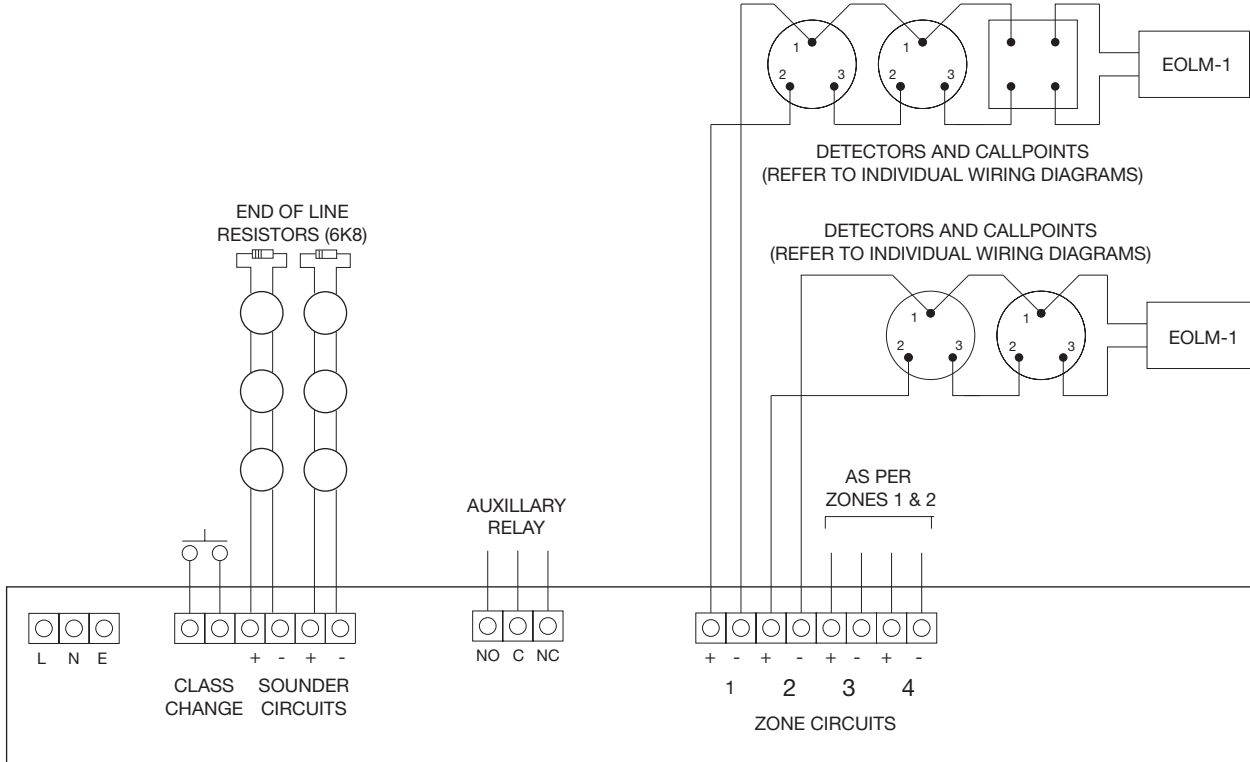
Alarm Capacity

1. 2 separate alarm lines on 1, 2 and 4 zone panels. Maximum rated load of 150mA (1 and 2 zone) or 400mA (4 zone) per line.
2. 4 separate alarm lines on 8 zone panel. 500mA maximum load per line.
3. Alarm lines are monitored for open circuit and short circuit faults.
4. Additional alarm line facilities on custom 2 and 4 zone configured panels.

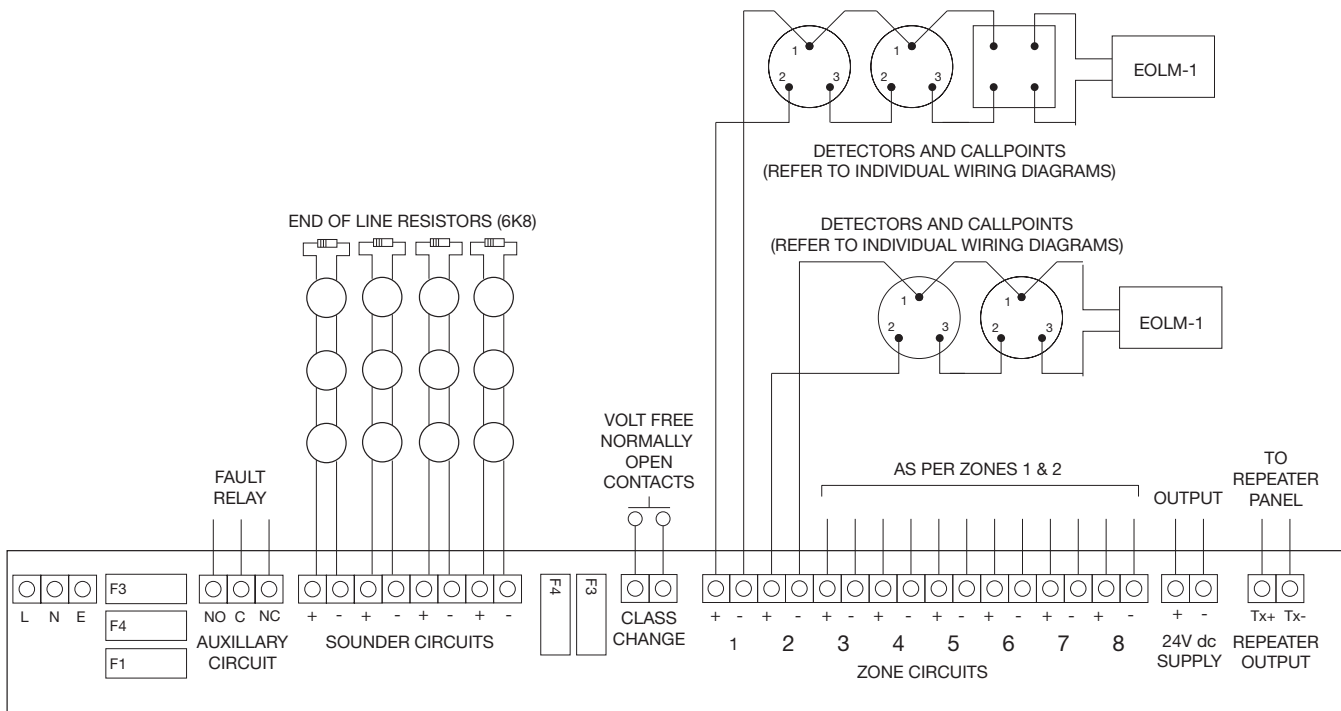
Repeater Panel

1. Repeater matches the style and appearance of main control panels.
2. Facility for signalling to repeater panel provided as standard on 8 zone panel.
3. Specially configured versions of 2 and 4 zone panels available for use with a repeater panel.
4. Displays essential information at other key locations in a large building/site
 - Zone fire and fault conditions
 - Test mode in operation
 - Zones or alarm lines in disabled mode
5. Repeater panel requires only a single pair of wires to receive signals from main control panel, plus local mains power supply, reducing cost of installation.

Standard Panel Connections - FX2201CF / FX2202CF / FX2204CF



Standard Panel Connections - FX2208CF



Descriptions represent only particulars of the goods to which they apply and do not form part of any contract. The company reserves the right to change specification without prior notification or public announcement.