

BM 9802

SELECTIVE CALL PAGING MICROPHONE



MAIN FEATURES

- Complete self-diagnostic of the unit in compliance with EN 54-16/2008 standard.
- Up to 8 microphone consoles can operate on each dedicated connection line. Their configuration in terms of access can be set by the PC system interface.
- Die-cast metal enclosure with 420 mm gooseneck.
- Pre-amplified hyper-cardioid hi-quality microphone with integrated compressor and limiter to get intelligible announcements no matter who is in front of it.
- Programmable function keys for announcements or commands.
- Power supply voltage from the Flexicomm BUS or from 24V DC local input.
- Interactive LCD backlit display associated to an encoder that indicates which operations are active and recovers system information.
- Alert and evacuation indications.
- Pre-recorded message activation.
- 5m connecting cable (with RJ 45 plugs) included.
- Dedicated "chime" key.

DESCRIPTION

The BM 9000 series microphone consoles for announcements are part of the DXT 9000 digital system, and can be directly connected to all master units. User can send announcements to different pre-configured zones or groups of zones, recall matrix configurations, intervene on sound levels, select music sources in different areas, send routine messages or alarms stored in the system memory or explore other possibilities

MAIN APPLICATIONS

- All DXT 9000 applications

PROVIDED OPTIONS

- Audible warnings
- Manual silencing of the voice alarm condition
- Manual reset of the voice alarm condition
- Output to fire alarm devices
- Voice alarm condition output
- Indication of faults related to the transmission path to the CIE
- Disablement condition
- Voice alarm manual control
- Interface to external control device(s)
- Emergency microphone(s)
- Redundant power amplifiers

SPECIFICATIONS

Type:	electret
Polar pattern:	cardioid
Output impedance:	470 Ω (1 kHz)
Microphone sensitivity:	- 65 dB \pm 3 dB (0 dB=1V/ μ bar, 1 kHz)
Frequency response:	50 Hz \div 18 kHz (- 3 dB)
Dimensions:	128 x 39 x 203 mm (without gooseneck)
Gooseneck length:	445.5 mm
Net weight:	1.2 kg (2.7 lbs)



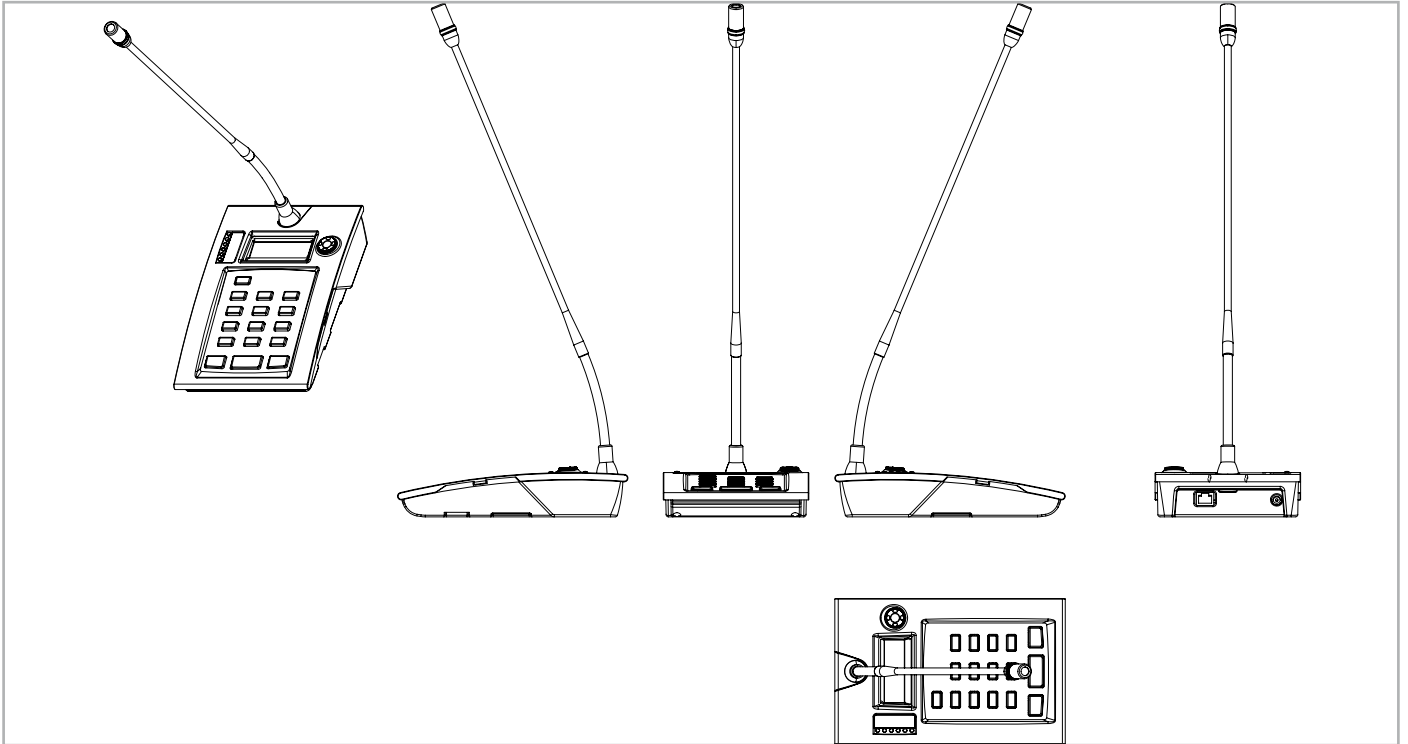
BM 9802

PART NUMBERS

143.80.024

1.01-A

DIMENSIONS (All data are in mm)



CERTIFICATIONS AND APPROVALS

- EN 54-16/2008
- CE: it complies with European Community 2006/95/CE LVD and 2004/108/CE EMC.
- Electromagnetic immunity according to IEC EN 55013+A1+A2, IEC EN 55020+A2+EC, EN 61000-3-2, EN 61000-3-3+A1.
- Electronic apparatus safety requirements according to IEC EN 60065:2002.

www.rcf.it

