

MX 3250

MASTER UNIT WITH AMPLIFIERS



DESCRIPTION

MX 3250 is the master unit of the evacuation system DXT 3000, dedicated to small and medium size applications, where an EN54-16:2008 system is required.

It includes a digital DSP-based master unit equipped with up to 6 RCF Class D+ power amplifiers, able to provide up to 250W on 100V or 70V speaker lines. A spare power amplifier with automatic replacement of a faulty unit is configurable too. It hosts batteries and the necessary EN54-4 circuitry for the DC back-up.

Furthermore it offers inputs, controls and pre-recorded messages to get a real plug & play solution.

The system can be completed with monitored paging consoles BM 3804 and 6 button extensions BE 3806, allow to complete the installation by adding live announcements. Local single-button paging consoles (not monitored) BM 3022 and background music programs can be implemented as well.

DXT 3000 system has been designed to be wired by using very convenient fire-rated J-TYPE cables for paging console and interlink connections.

MAIN FEATURES

- DSP-based Master Unit
- Equipped with 2, 4 or 6 RCF Class D+ technology power amplifiers.
- Spare power amplifier with automatic replacement
- Internal power supply with battery charger and space for batteries.
- Emergency messages on monitored SD card.

APPLICATIONS

- Halls
- Schools
- Shopping Centers
- Offices
- Public buildings



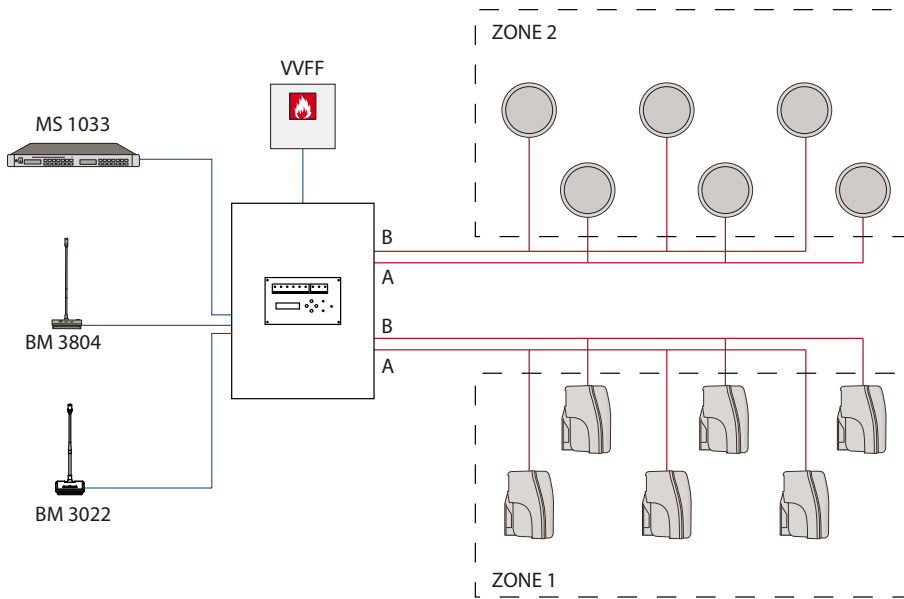
MX 3250

SPECIFICATIONS

Max. overall output power:	up to 250 W, freely assignable to the 2, 4 or 6 zones
Frequency response:	50 Hz ÷ 16 kHz (± 1 dB)
Distortion (THD + N):	0.3 typical (1% max., f: 1 kHz)
Output voltage to speaker lines:	100 V / 70 V
Signal / noise ratio:	70 dBA
Operating voltage (mains):	115 / 230 V ac $\pm 10/-15\%$ 50/60 Hz, internal setting
Operating voltage (batteries):	24 V dc (2x 12 V), Ri max.= 220 m Ω
Amplifier fuses:	F1 T4AL, F2 T4AL
Power supply fuse:	T2AL (230 V) / T4AL (115 V)
Nominal load (Zmin):	40 Ω (100 V) / 20 Ω (70 V), CI= 5nF
Consumption (ac):	max. 400 W
Battery (dc) current draw:	max. 15.3 A
Battery capacity:	7-12-18 Ah (internal setting)
Ambient operating temperature:	0 ÷ 40 °C (32 ÷ 104 °F)
Input connectors:	removable screw terminals
Max. evacuation zone number:	6 (MX 3250/6)
Max. number of daisy-chained BM 3804 paging microphones:	4
Simultaneous audio channels:	3
Paging microphone cable:	CAT 6 FTP or J-type (RCF)
Dimensions (w, h, d):	430 mm, 530 mm, 180 mm (19" rack – 12 units)
Logic output max. current:	2 A
Logic output max. switching voltage:	100 V
Logic output max. switching power:	30 W
Heat dissipation:	50 W (1/8 max. output power)

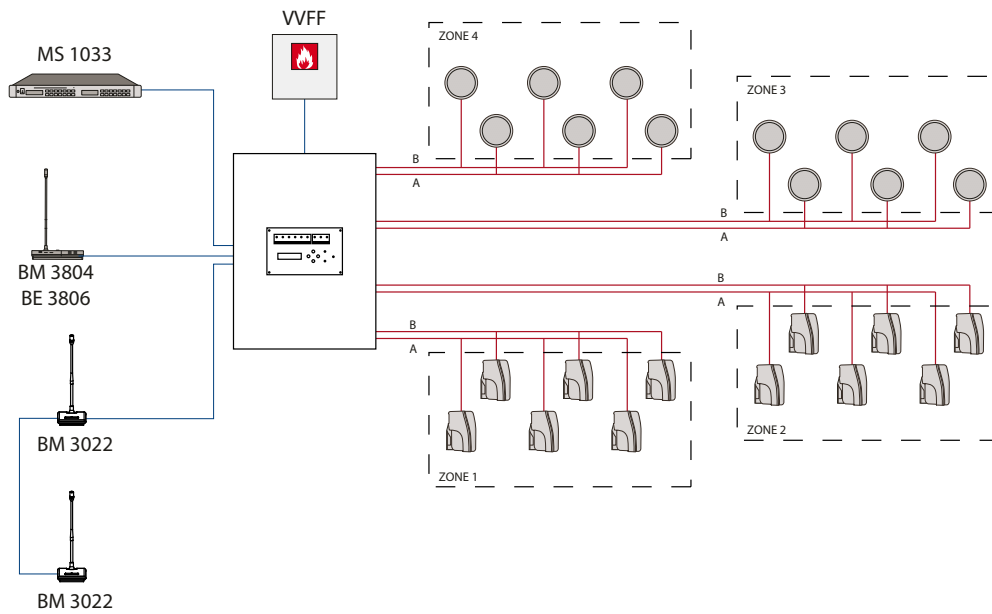
MX 3250

DXT 3000 - BASIC CONFIGURATION



— bipolar cable 100V — input cable — bus system cable

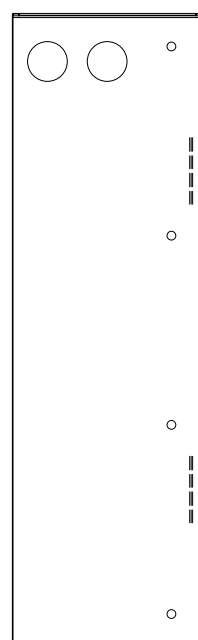
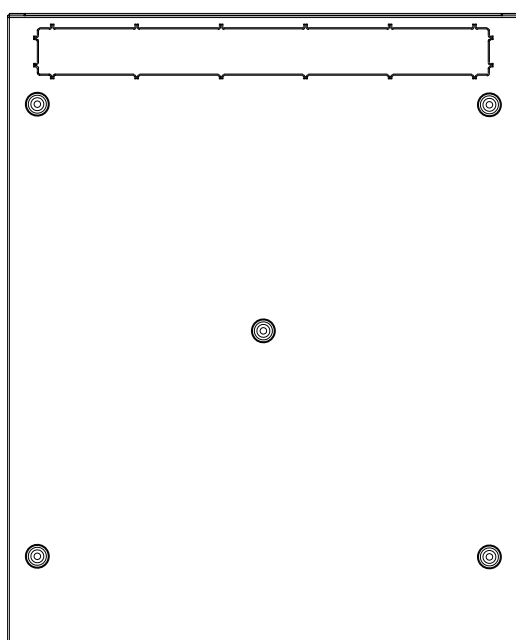
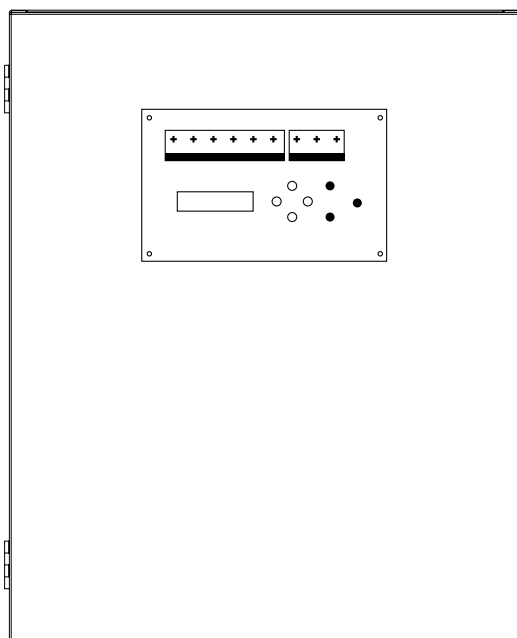
DXT 3000 - EXTENDED CONFIGURATION



— bipolar cable 100V — input cable — bus system cable

MX 3250

FRONT, REAR AND SIDE VIEW



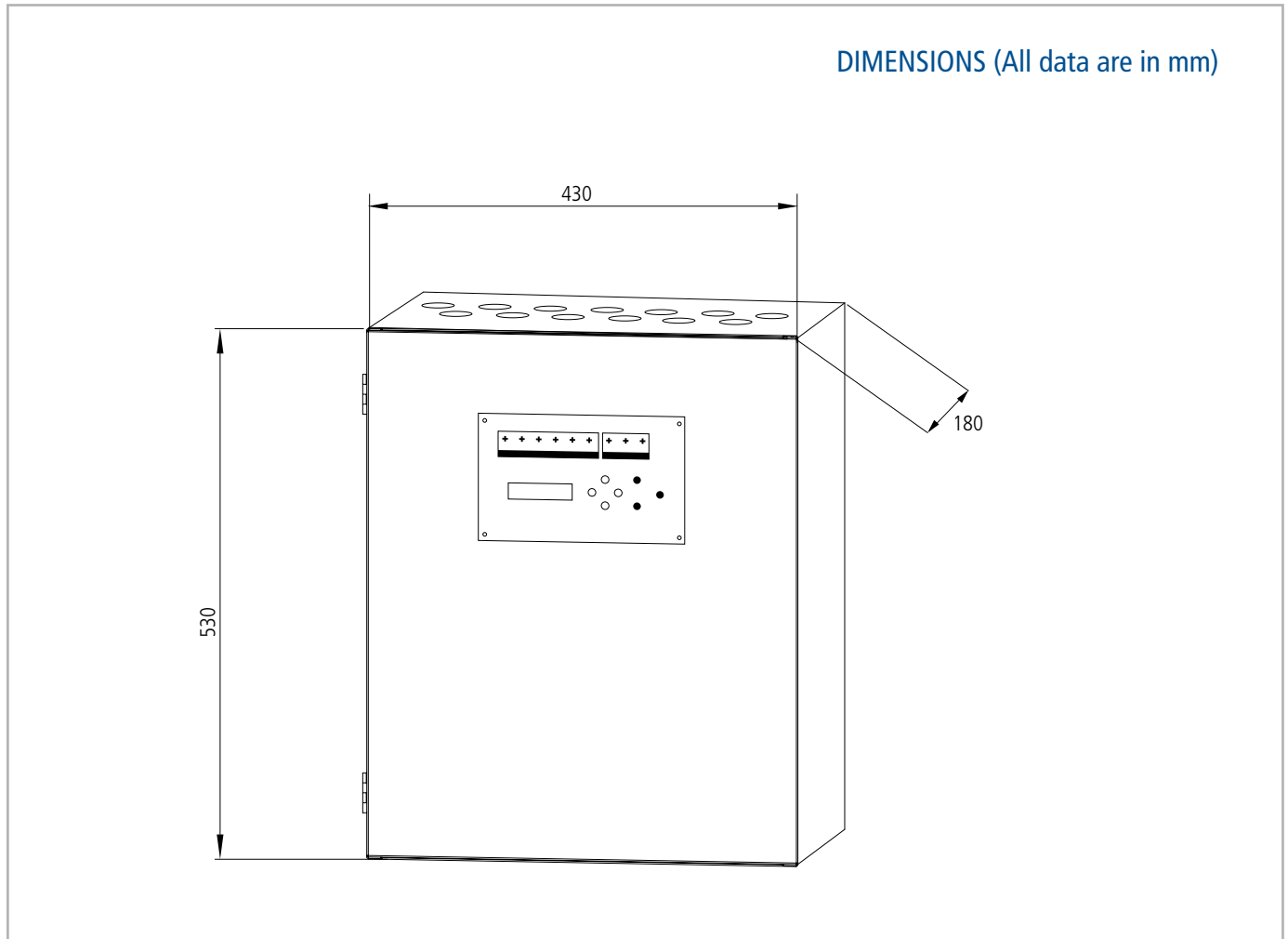
MX 3250

PART NUMBER

MX 3250/2 171.70.177

MX 3250/4 171.70.183

MX 3250/6 171.70.184



CERTIFICATIONS AND APPROVALS

- EN 54-16: 2008 - FIRE DETECTION AND FIRE ALARM SYSTEMS. PART 16: VOICE ALARM CONTROL AND INDICATING EQUIPMENT.
- EN 54-4: 1997 +A1: 2002 +A2: 2006 - FIRE DETECTION AND FIRE ALARM SYSTEMS. PART 4: POWER SUPPLY EQUIPMENT.
- CE: IT COMPLIES WITH EUROPEAN COMMUNITY 2006/95/CE LVD AND 2004/108/CE EMC.
- ELECTRONIC APPARATUS SAFETY REQUIREMENTS ACCORDING TO EN 60065 :2002 +A1 :2005 +A11 :2008.
- ELECTROMAGNETIC IMMUNITY ACCORDING TO EN 55013 :2001+A1 +A2 / EN 55020 :2007 +A11 / EN 61000-3-2 :2006 +A2 / EN 61000-3-3 :2008.

www.rcf.it

