

# WEATHERPROOF HORN LOUDSPEAKERS

## ▶ APH10T/ENC

EN54-24



### TECHNICAL SPECIFICATIONS

EN54-24:2008

Certificate No: 0359-CPD-0166 TYPE B

#### ELECTRICAL

Rated power, Watts	10
Tappings 100 volt line, Watts	10/5/2.5/1.25
Transformer Impedance, Ohms 100V	1k/2k/4k/8k
Tappings 70.7 volt line, Watts	5/2.5/1.25/0.625
Driver impedance, Ohms	8
Effective Frequency Range, Hz (BSEN60268-5)	340-16,000
S.P.L. @ 4m, 1watt, dB, 1/3 Octave, 1KHz	79
S.P.L. @ 1m, 1watt, dB, Test Signal Bandwidth 100Hz-10kHz	105
S.P.L. @ 4m, Full power, dB, 1/3 Octave 1KHz	88
S.P.L. @ 1m, Full power, Test Signal Bandwidth 100Hz-10kHz	115
Dispersion at 1k/2k Hz, Degrees	139/74 Horizontal 173/96 Vertical

#### ENVIRONMENTAL

IP-Rating	33
Max/Min Amb Temp	70°/-25°C
Relative Humidity	≤95%

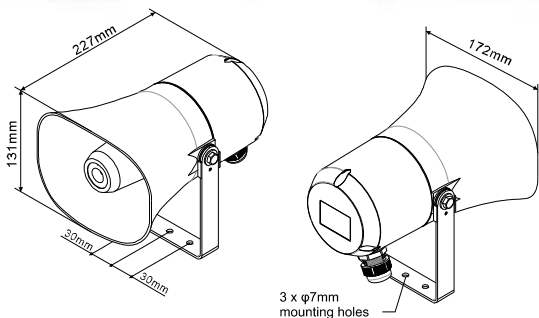
#### MECHANICAL

Dimensions, WxHxD mm	172x131x227
Net Weight, Kgs	1.6
Colour (Unless Specified)	RAL 7035
Material	Low smoke zero halogen UL-94V0 Plastic with UV inhibitors
Mounting	Stainless Steel U bracket and hardware

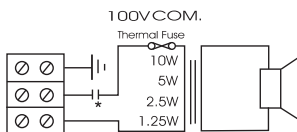
▶ APH10T/ENC is supplied with capacitor for DC line monitoring

# APH10T/ENC

## WEATHERPROOF HORN LOUDSPEAKERS



### CIRCUIT DIAGRAM



APH10T/ENC  
\*with capacitor

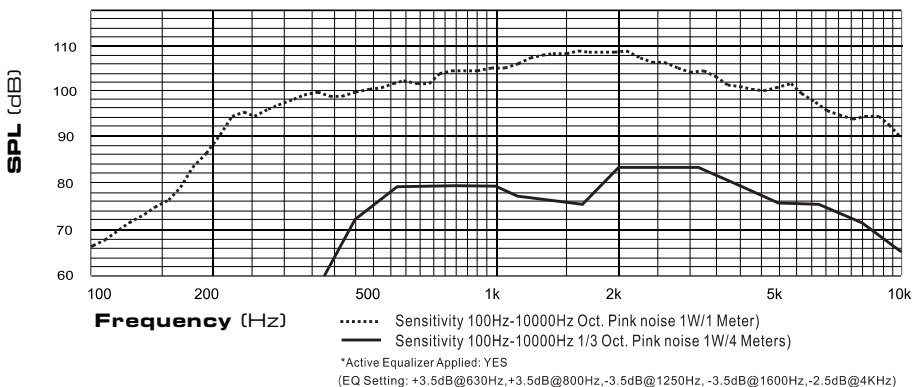
### WITH TRANSFORMER: 100V/70V LINE

	WHITE WIRE PLUS TAPPING				BLACK
100V	1.25W	2.5W	5W	10W	COM
70V	0.625W	1.25W	2.5W	5W	COM
IMP(Ω)	8K	4K	2k	1k	

### DISPERSION ANGLES

		HORIZONTAL	VERTICAL
<b>1 OCT. PINK NOISE</b>	500 Hz	360°	360°
<b>1 OCT. PINK NOISE</b>	1K Hz	139°	173°
<b>1 OCT. PINK NOISE</b>	2K Hz	74°	96°
<b>1 OCT. PINK NOISE</b>	4K Hz	43°	55°

### FREQUENCY RESPONSE



APH10T/ENC has been tested in 100 hours max power (10W). The model does not deviate by more than  $\pm 3$ dB from the original test value. The frequency response curve and impedance complies with the original one. All SPL tests are performed in an anechoic chamber (<70m<sup>3</sup>)



### Penton UK Ltd

Unit 2 Teville Industrials | Dominion Way | Worthing | West Sussex | BN14 8NW  
 T: +44 (0)1903 215315 | F: +44(0)1903 215415 | E: SALES@PENTONUK.CO.UK

[www.pentonuk.co.uk](http://www.pentonuk.co.uk)

