

WATERPROOF METAL HORN LOUDSPEAKERS

➤ MHS20T/ENC

EN54-24



TECHNICAL SPECIFICATIONS

EN54-24:2008

Certificate No: 0359-CPD-0166 TYPE B

ELECTRICAL

| | |
|--|---------------------|
| Rated power, Watts | 20 |
| Tappings 100 volt line, Watts | 20/10/5/2.5/1.25 |
| Transformer Impedance, Ohms 100V | 500/1k/2k/4k/8k |
| Tappings 70.7 volt line, Watts | 10/5/2.5/1.25/0.625 |
| Driver impedance, Ohms | 8 |
| Effective Frequency Range, Hz (BSEN60268-5) | 300-16,500 |
| S.P.L. @ 4m, 1watt, dB, 1/3 Octave, 1KHz | 81 |
| S.P.L. @ 1m, 1watt, dB, Test Signal Bandwidth 100Hz-10kHz | 101 |
| S.P.L. @ 4m, Full power, dB, 1/3 Octave 1KHz | 92 |
| S.P.L. @ 1m, Full power, Test Signal Bandwidth 100Hz-10kHz | 114 |
| Dispersion at 1k/2k Hz, Degrees | 143/66 |

ENVIRONMENTAL

| | |
|-------------------|-----------|
| IP-Rating | 33 |
| Max/Min Amb Temp | 70°/-25°C |
| Relative Humidity | ≤95% |

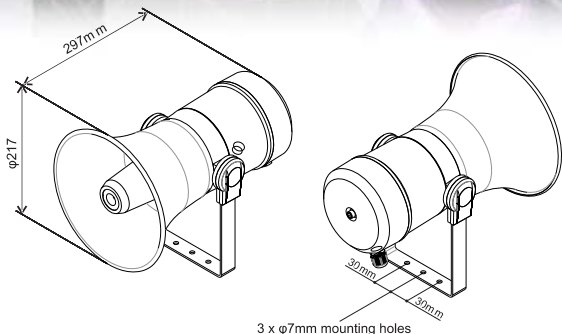
MECHANICAL

| | |
|---------------------------------|------------------------------------|
| Dimensions, Diameter x depth mm | Ø 217 x 297 |
| Net Weight, Kgs | 2.7 |
| Colour (Unless Specified) | RAL 7035 |
| Material | Die cast aluminium housing |
| Mounting | Lockable Stainless Steel U bracket |

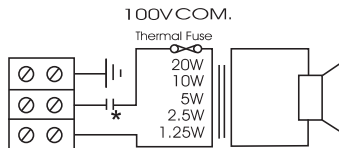
➤ MHS20T/ENC is supplied with capacitor for DC line monitoring

MHS20T/ENC

WEATHERPROOF METAL HORN LOUDSPEAKERS



CIRCUIT DIAGRAM



MHS20T/ENC
*with capacitor

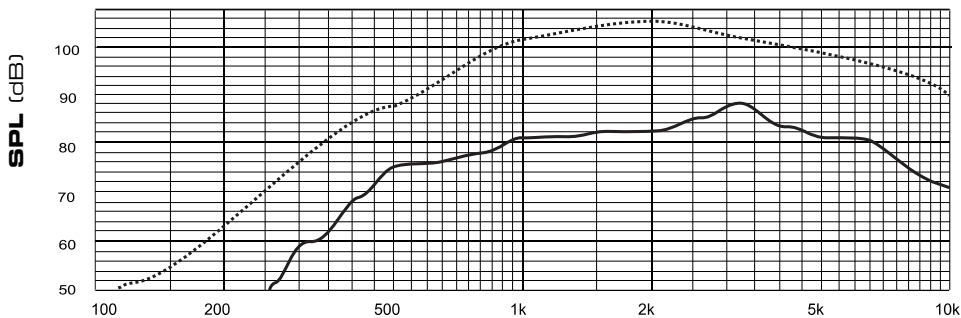
WITH TRANSFORMER: 100V/70V LINE

| | WHITE WIRE PLUS TAPPING | | | | | BLACK |
|------------------|-------------------------|-------|------|-----|------|-------|
| 100V | 1.25W | 2.5W | 5W | 10W | 20W | COM |
| 70V | 0.625W | 1.25W | 2.5W | 5W | 10W | COM |
| IMP (Ω) | 8K | 4K | 2k | 1K | 500K | |

DISPERSION ANGLES

| | | HORIZONTAL | VERTICAL |
|--------------------------|--------|------------|----------|
| 1 OCT. PINK NOISE | 500 Hz | 360° | 360° |
| 1 OCT. PINK NOISE | 1K Hz | 143° | 143° |
| 1 OCT. PINK NOISE | 2K Hz | 66° | 66° |
| 1 OCT. PINK NOISE | 4K Hz | 40° | 41° |

FREQUENCY RESPONSE



..... Sensitivity 100Hz-10000Hz Oct. Pink noise 1W/1 Meter)
 ——— Sensitivity 100Hz-10000Hz 1/3 Oct. Pink noise 1W/4 Meters)

*Active Equalizer Applied: To use or not, both can pass by EN54-24 limit
 (EQ Setting: +3.5dB@630Hz, +3.5dB@800Hz, -3.5dB@1250Hz, -3.5dB@1600Hz, -2.5dB@4KHz)

MHS20T/ENC has been tested in 100 hours max power (15W). The model does not deviate by more than +/- 3dB from the original test value. The frequency response curve and impedance complies with the original one. All SPL tests are performed in an anechoic chamber (<math>< 70\text{m}^3</math>)



Penton UK Ltd

Unit 2 Teville Industrials | Dominion Way | Worthing | West Sussex | BN14 8NW
 T: +44 (0)1903 215315 | F: +44(0)1903 215415 | E: SALES@PENTONUK.CO.UK

www.pentonuk.co.uk

