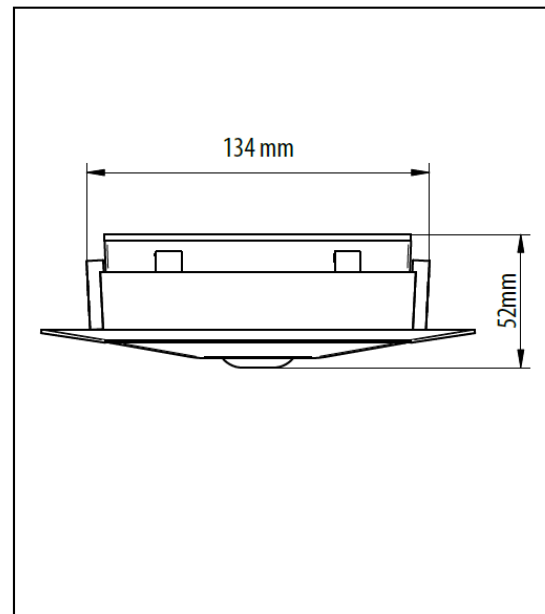
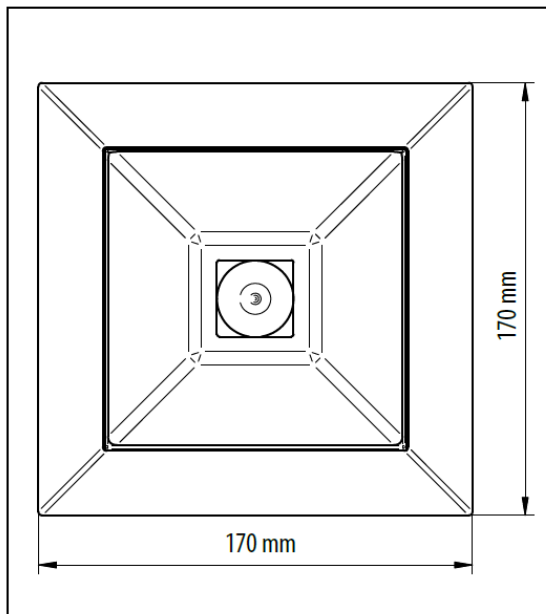




CLEVER LIGHT CL-313C R/F SLAVE/MB (RECESSED TYPE)

Luminaire	Addressable with main battery
Mounting	On ceiling
Lamp	LED/50 000h
Lamp power	3W
Warranty	2 years repair warranty
Standby duration	1-3h
Housing	Polycarbonate
Color of housing	White
Operation	Standby
Mains supply	120-240V 60/50Hz
Input current	30mA
Battery	Ni-Mh
Protection category	IP20
Certification	CE
R/F	R-circular emitting lens, F-for corridors



CL-313RC	Escape route 2m wide 1 lux min				Open (anti-panic) area 0.5 lux min			
Mounting height (m)	Transverse to wall	Transverse to transverse	Axial to wall	Axial to Axial	Transverse to wall	Transverse to transverse	Axial to wall	Axial to Axial
2.5	2.56	9.81	2.58	9.94	5.29	16.64	5.78	16.47
3	2.32	7.37	2.3	7.38	3.68	15.88	3.69	15.3
4	0	6.91	0	6.82	3.45	10.53	3.41	10.47
6	0	0	0	0	0	6.81	0	6.85

CL-313FC	Escape route 2m wide 1 lux min				Open (anti-panic) area 0.5 lux min			
Mounting height (m)	Transverse to wall	Transverse to transverse	Axial to wall	Axial to Axial	Transverse to wall	Transverse to transverse	Axial to wall	Axial to Axial
2.5	4.02	9.91	2.4	6.27	4.95	12.55	3.13	7.88
3	4.38	10.62	2.48	6.62	5.31	13.28	3.31	8.34
4	5.09	12.07	2.42	6.97	6.03	14.73	3.48	9.25
6	1.41	12.39	2.15	6.84	7.46	17.6	3.42	9.96
8	0	4.93	0	3.77	3.69	17.47	3.33	9.71
10	0	0	0	0	0	13.2	0	6.86