



▶ PMC4T/EN ▶ PMC4T/ENC SPECIFICATIONS

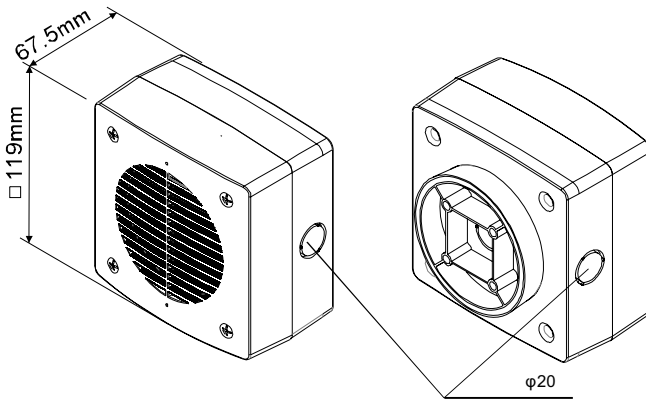
Service , Germany: 49-6027-979875 ; France: 33-4-76992630 ; Switzerland: 41-21-8812510
Phone : USA: 1-401-7271600 ; The Rest of Europe: 31-10-2088690(Netherlands)

“Voice alarm loudspeaker for fire detection and fire alarm system for building”

ZCL0504-084 P
Revision 0 2012-09-28



RoHS



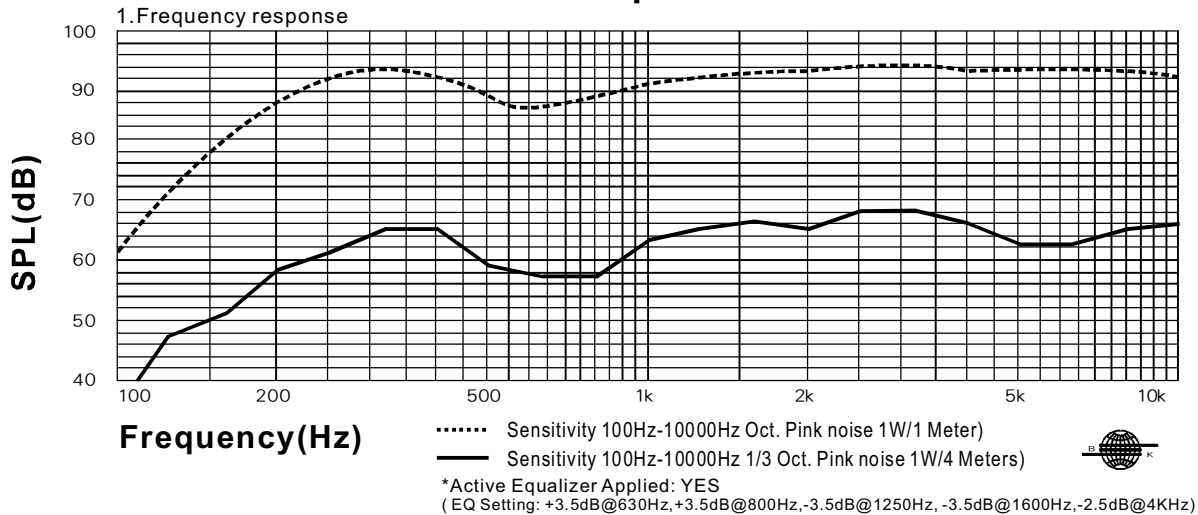
**EN54-24:2008
0359-CPD-0148
TYPE B**

With Transformer:

100V/70V line

	White wire plus tapping				Black
100V	0.5W	1W	2W	4W	COM
70V	0.25W	0.5W	1W	2W	COM
IMP.(Ω)	20K	10K	5K	2.5K	

Technical Specifications



2. Horizontal coverage angles & Vertical angles

		Horizontal	Vertical
1 Oct. Pink noise	500 Hz	360°	360°
1 Oct. Pink noise	1K Hz	189°	196°
1 Oct. Pink noise	2K Hz	126°	120°
1 Oct. Pink noise	4K Hz	61°	60°

3. Environmental

IP-rating.....33
 Max/Min amb temp.....70°C / -25°C
 Relative humidity.....<95%

4. Electrical

Rated power, Watts 4
 Tappings 100 volt line, Watts 4/2/1/0.5
 Transformer Impedance, Ohms 100V 2.5k/5k/10k/20k
 Tappings 70.7 volt line, Watts 2/1/0.5/0.25
 Driver impedance, Ohms 8
 Effective Frequency Range, Hz (BSEN60268-5) 220-11,000
 S.P.L. @ 4m, 1watt, dB, 1/3 Octave, 1KHz 63
 S.P.L. @ 1m, 1watt, dB, Octave 1KHz 91
 S.P.L. @ 4m, Full power, dB, 1/3 Octave 1KHz 68
 S.P.L. @ 1m, Full power, Octave 1KHz 97

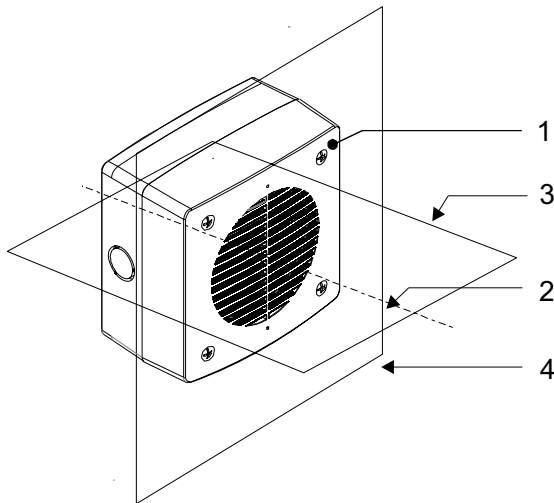
5. Mechanical

Dimensions, Front & Depth, mm 119x119x84
 Net weight, Kgs 1
 Colour (Unless specified) RAL9016
 Material Low smoke zero Halogen
 UL-94V0 Plastic with UV inhibitors
 Mounting 4xScrew

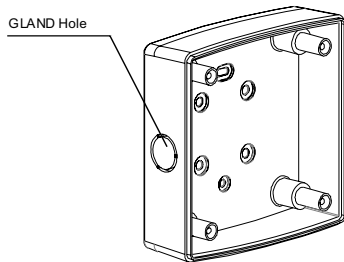
PMC4T/EN & PMC4T/ENC has been tested in 100 hours max power (4W). The model does not deviate more than ± 3dB from the original test value. The freq. response curve and impedance complies with the original one. All SPL tests are performed in a anechoic chamber (<70m/3).

▶ **PMC4T/EN**

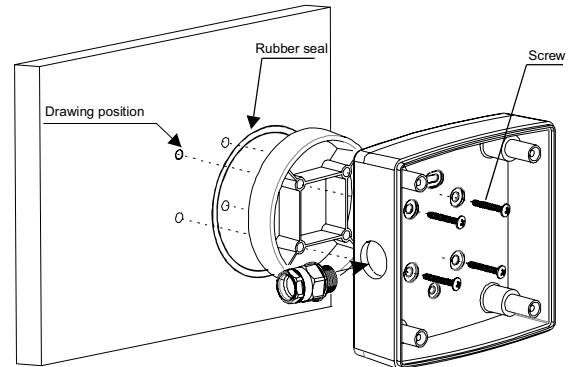
▶ **PMC4T/ENC INSTALLATION GUIDE**



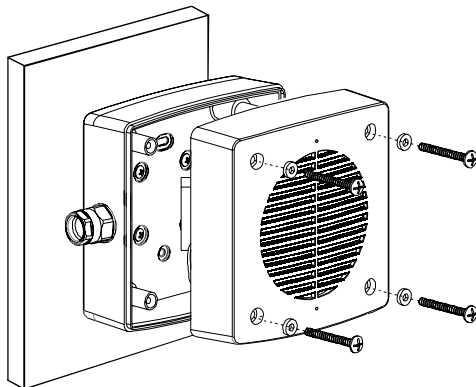
1. loudspeaker enclosure
2. reference axis
3. horizontal plane
4. reference plane



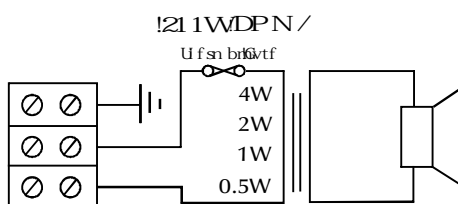
1) On selecting the chosen position for the loudspeaker please ensure that cable gland entries situated in the back box are in the position you require.



- 2) Offer the speaker to the wall or ceiling and mark through the mounting holes as shown in the rear view drawing above with a sharp pencil the position required for drilling. It is important that you use the hole situated within the rubber seal.
- 3) Drill 4 holes in any chosen position and then fit the back box including rubber seal to the wall/flat surface.

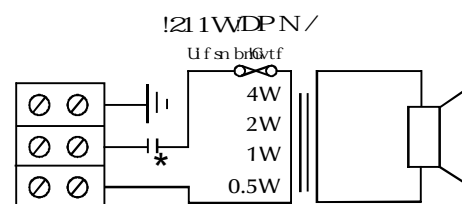


4) Put the speaker on and screw up the top moulded housing.



Circuit Diagram

PMC4T/EN



Circuit Diagram

PMC4T/ENC
* with capacitor