

Flush mounting electromagnetic door release unit • 1368

- Flush mounting
- Holding strength 50 Kg
- Complete with damping keeper plate
- CPD certificate

UNI EN1155:2003  0407

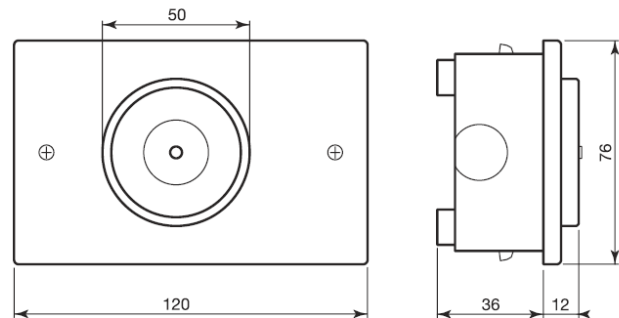
Flush mounting electromagnetic door release unit for fire doors. It is composed of an electromagnetic core fitted inside a steel metallic box with an anodised aluminium front panel. A built-in spring releaser allows overcoming residual magnetic



forces therefore ensuring a quick and reliable release of the door. Provided with dual protection diode against disturbances and polarity reversals. Provided with counter-plate. CPD certification according to UNI EN1155:2003.

General specifications

Housing material	Galvanized steel
Materiale frontale	Anodised Alluminium
Core material	Steel
Keeper plate material	Black thermoplastic support, nickelate steel plate
Operation	Released when de-energised
Connection type	Wired
Operating Temperature	-10°C: +55°C
Protection degree	IP 40
Standard equipment	flexible keeper plate, protection diodes
Packaging	2 pc. / package



Order codes

Code	Holding strength $\pm 15\%$	Rated voltage	Rated current	Package weight	Notes
1368-CSA	50 Kg/490 N	24 Vcc	45 mA	1,30 Kg	N°2 protection diodes

Accessories (see page 15)

1353-CSA | 55 mm diameter flexible keeper plate