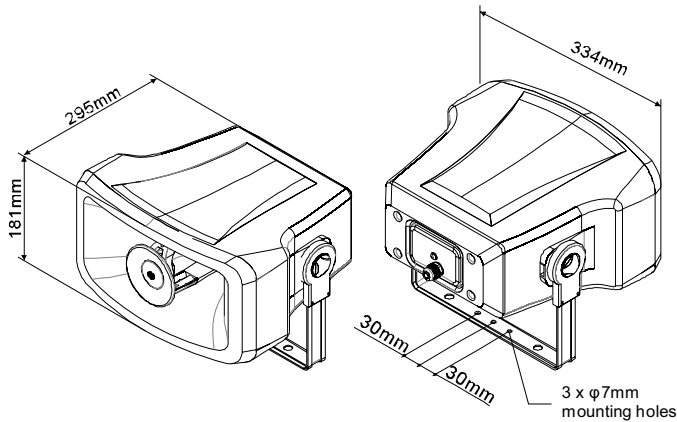




▶ MPS15T/ENC SPECIFICATIONS

Service Germany: 49-6027-979875 ; France: 33-4-76992630 ; Switzerland: 41-21-8812510
 Phone USA: 1-401-7271600 ; The Rest of Europe: 31-10-2088690(Netherlands)

“Voice alarm loudspeaker for fire detection and fire alarm system for building”



**EN54-24:2008
 0359-CPD-0150
 TYPE B**

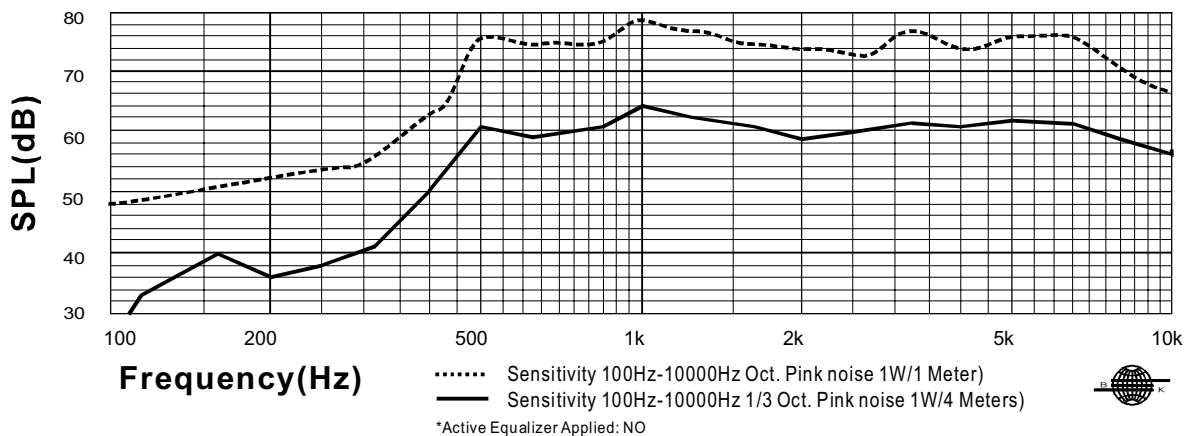
With Transformer:

100V/70V line

	Power selection				Black
100V	1.875W	3.75W	7.5W	15W	COM
70V	0.9375W	1.875W	3.75W	7.5W	COM
IMP.(Ω)	5.32K	2.66K	1.33K	667	

Technical Specifications

1. Frequency response



2. Horizontal coverage angles & Vertical angles

		Horizontal	Vertical
1 Oct. Pink noise	500 Hz	168°	227°
1 Oct. Pink noise	1K Hz	91°	151°
1 Oct. Pink noise	2K Hz	52°	102°
1 Oct. Pink noise	4K Hz	80°	110°

3. Environmental

IP-rating.....33
 Max/Min amb temp.....70°C / - 25°C
 Relative humidity.....<95%

4. Electrical

Rated power, Watts 15
 Tappings 100 volt line, Watts 15/7.5/3.75/1.875
 Transformer Impedance , Ohms 100V 667/1.33k/2.66k/5.32k
 Tappings 70.7 volt line, Watts 7.5/3.75/1.875/0.9375
 Driver impedance, Ohms 8
 Effective Frequency Range, Hz (BSEN60268-5) 70-16,500
 S.P.L. @ 4m, 1watt, dB, 1/3 Octave, 1KHz 66
 S.P.L. @ 1m, 1watt, dB, Octave 1KHz 97
 S.P.L. @ 4m, Full power, dB, 1/3 Octave 1KHz 78
 S.P.L. @ 1m, Full power, Octave 1KHz 109

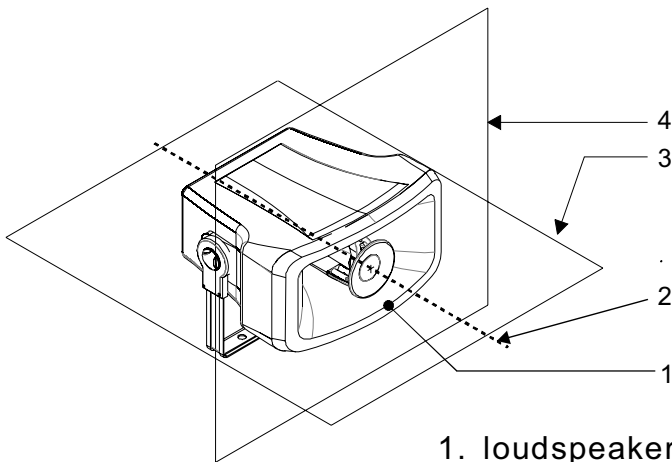
5. Mechanical

Dimensions, Front & Depth, mm 334x181x295
 Net weight, Kgs 3.2
 Colour (Unless specified) RAL7035
 Material Low smoke zero Halogen
 Mounting UL-94V0 plastic housing with UV inhibitors
 Stainless Steel U Bracket

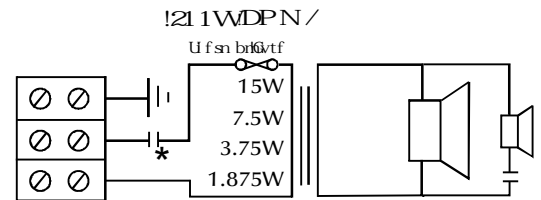
MPS15T/ENC has been tested in 100 hours max power (15W). The model does not deviate more than ± 3dB from the original test value. The freq. response curve and impedance complies with the original one. All SPL tests are performed in a anechoic chamber (<70m/3).

Penton Communications Inc, Taichung, Taiwan.

▶ MPS15T/ENC INSTALLATION GUIDE

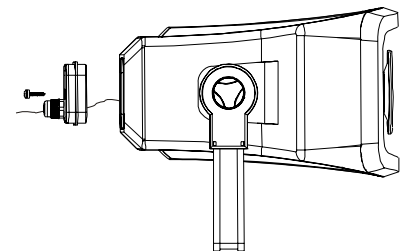
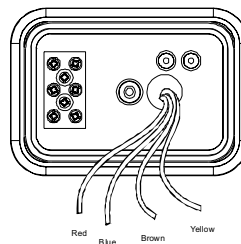
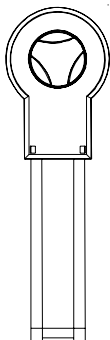


1. loudspeaker enclosure
2. reference axis
3. horizontal plane
4. reference plane



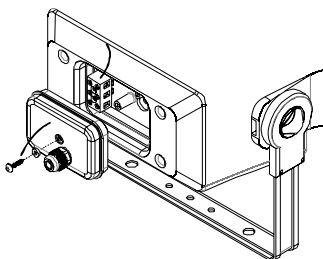
Circuit Diagram

MPS15T/ENC
* with capacitor

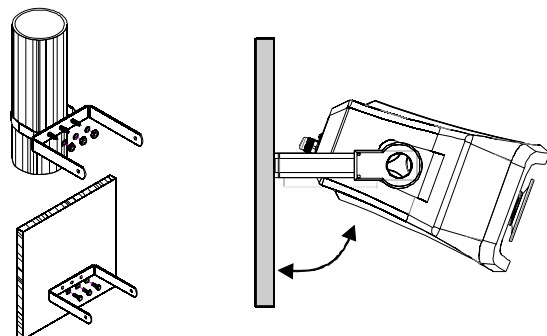


1) Remove bolt cover cap and loosen bolt. Adjust to required angle in a ratchet formation and tighten bolt & replace cover.

2) Remove fixing bolt and gland cable through back lid. Terminate to ceramic block, then select the power you require (15W/7.5W/3.75W/1.875W/100V).



3) Secure gland(s), then replace Lid ensuring gasket is fitted correctly.



4) Drill the mounting location holes for the unit in line with the "U" bracket (2 holes 30 millimetres apart) in the surface where the loudspeaker is to be located.