

- Fast™ Addressing
- Integral Short Circuit Isolator
- Loop Powered
- Adjustable from 7.5 to 3m Room Coverage Volume
- 2.4 metres (m) Mounting Height
- Adjustable Flash Rate
- Approved to EN54 Part 23:2010



The Protec 6000/VAD/W Addressable wall mounted visual alarm device is a loop driven, addressable high intensity VAD designed to EN54-23:2010

The device is categorised for installation at a height of up to 2.4m and coverage of 7.5m x 7.5m W-2.4-7.5.

For smaller areas, the device can be switched down from 7.5m to 3m thus reducing power consumption and maximising the number of devices on the loop. The low power modes are software programmable.

The product has a unique lens that distributes the white light in a cuboid shape to achieve the required illumination of 0.4lux over the entire coverage area in accordance with EN54-23.

The design is based on LED technology for long life, reliability and low power consumption.

Compliant with DDA legislation, this high intensity led VAD warns those with hearing impairments or in noisy environments.

This device is available in a white or red housing with a white flash rate of 1 or 0.5Hz.

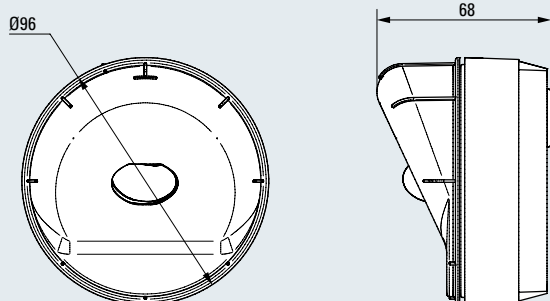
Order Codes

6000/VAD/W/RED

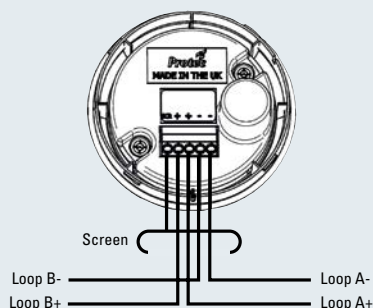
6000/VAD/W/WHITE

Technical Specification

Dimensions (mm)



Wiring Diagram



Technical Specification

Environment	-10 to 50°C
Ingress Protection	EN54-23 Type B Outdoor + IP65
Applicable Standards	EN54-23:2010
Weight (excluding base)	125g
Loop Powered	Yes
Voltage	18 - 28V
Loop Standby Load	0.8mA
Loop Peak Alarm Load	19mA
Mounting Height (x)	2.4 metres
Coverage(y)	7.5m configurable to 5m or 3m
Coverage Volume Code	W-2.4-7.5
Flash Rate	1 or 0.5Hz white flash
Isolator	Yes
Mounting	Wall

Design Guidance

Protec VAD's have been approved to BS EN 54-23 and use the rating codes below:

W-x-y (eg W-2.4-7)

Where:

- W** is wall mounted
- x** is the maximum height (M)
- y** is the illumination diameter for the cylindrical volume (M)

BS EN 54-23 approved VAD's are approved as ceiling mounted and must provide a minimum illumination level of 0.4 lux for the stated volume

Table A: Direct Viewing

Coverage volumes for various ambient light levels (lux)

BS EN54-23 Rating	W-2.4-7
Mounting Position	Wall
Less than 100 lux	36.4m x 36.4m
100 - 200 lux	30.8m x 30.8m
200 - 300 lux	22.4m x 22.4m
300 - 400 lux	16.1m x 16.1m
400 - 500 lux	12.6m x 12.6m
500 - 600 lux	9.1m x 9.1m
600 - 700 lux	7m x 7m
700 - 800 lux	4.9m x 4.9m

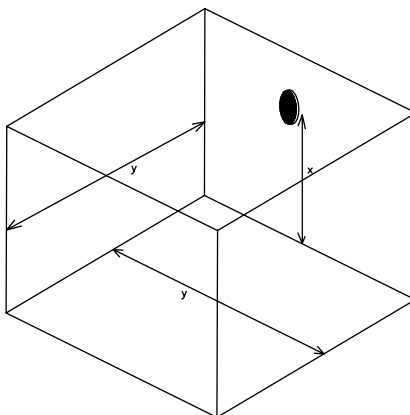
Table B: Indirect Viewing

Coverage volumes for various ambient light levels (lux)

BS EN54-23 Rating	W-2.4-7
Mounting Position	Wall
Less than 100 lux	12.6m x 12.6m
100 - 200 lux	11.9m x 11.9m
200 - 300 lux	9.8m x 9.8m
300 - 400 lux	8.4m x 8.4m
400 - 500 lux	7m x 7m
500 - 600 lux	6.3m x 6.3m
600 - 700 lux	*
700 - 800 lux	*

Coverage volumes height, diameter length and width dimensions are in metres.

* Where ambient light levels may, at any time, exceed 600 lux, direct viewing is preferred (CoP 001 clause 4.6.9.4)



Model References

Product Code	Colour Options
6000/VAD/W/RED	Red Body (White Flash)
6000/VAD/W/WHITE	White Body (White Flash)
NOTE: All the Model References are loop powered addressable LED VAD's, supplied with a low profile base. An optional deep base can be purchased separately to allow surface wiring to be terminated directly into the base.	
29-982-75	Red Deep Base
29-983-76	White Deep Base

Deeper Base Dimensions (mm)

