

- Protec Algo-Tec™ 6000PLUS Protocol
- Voice Enhanced 'Talking' Sounder
- Seven Selectable Voice Messages
- Bell Sounder
- Programmable Volume Control
- Three Fire Alarm Tones
- Loop Powered
- Low Current Consumption
- Integral Short Circuit Isolator
- Weatherproof to IP65
- Choice of Colours



For the ultimate method of alerting building occupants of the incidence of an emergency, the Protec Algo-Tec™ 6000PLUS/TSR2 is equipped with an integrated voice enhanced sounder. The talking sounder is capable of delivering synchronised alert and evacuate messages around a building, removing any ambiguity, particularly for anyone unfamiliar with the building alert and evacuation strategy, enabling a more prompt and safe building evacuation. When combined with the LED beacons and multi-sensor fire detection technology, we are able to provide the ultimate and most innovative fire detection PLUS alarm system for buildings.

The 6000PLUS/TSR2 voice enhanced talking sounder is available with seven voice messages plus 'bell' sound in addition to the three fire alarm tones compatible with the Protec range of electronic sounders.

All voice messages, bell sound and alarm tones are selectable from the control panel, along with volume adjustment.

A loop short circuit isolator is incorporated to enhance the system integrity.

Available in either Red or White body colours, the 6000PLUS/TSR2 has an IP65 rating making the product suitable for mounting internally or externally.

An optional deep base allows surface mounted cable to be terminated directly into the sounder.

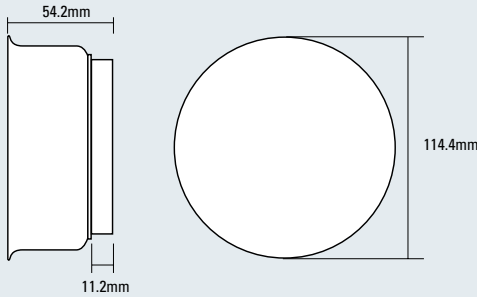
The 6000PLUS/TSR2 is an ideal addition to the fire alarm system providing a clear spoken message to inform the occupant of a fire alarm condition and is compatible for use with the Protec 6000PLUS sensor range.

Standard Messages

- 1) *"Attention please, attention please. Fire has been reported in the building, please leave the building immediately by the nearest exit"*
- 2) *"May I have your attention please, an incident has been reported in the building please listen for further instructions"*
- 3) *"Attention, attention. This is an emergency. Please leave the building by the nearest available exit"*
- 4) *"This is a test message, no action is required"*

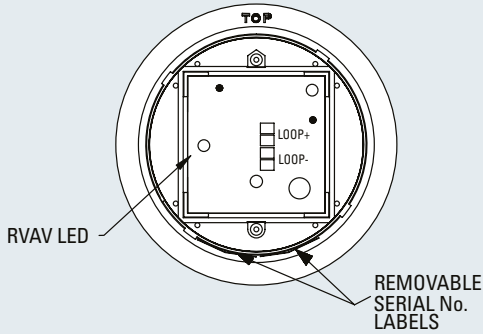
6000PLUS/TSR2 - Technical Specification

Dimensions (mm)



Loop Wiring

PCB Connection Details Rear View (Gland Box Removed)



Technical Specification:

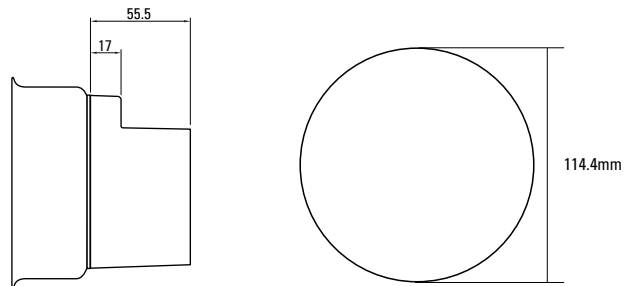
Environment	-10°C to 55°C (95% RH non condensing)
Ingress Protection	IP65
Applicable Standards	Designed to EN54 Part 3 & 17 Compliant to CE and LVD standards
Weight	244g
Loop Powered	Yes
Loop Standby Load	0.7mA
Loop Alarm Load	6mA (9mA with Bell Sound)
Loop Voltage	18 - 28V
Loop Isolator	Yes
Sounder Volume	93dB(A) (High), 75dB(A) (Mid), 65dB(A) (Low)*
Output Details	Piezo sounder. Sounder tone Voice Message and volume selectable at the control panel
Construction	ABS Base & Body
Device Protocol	Algo-Tec™ 6000PLUS

* measured at one metre on axis

Model References

Product Code	Colour Options
6000PLUS/TSR2	Addressable Red Sounder & Base
6000PLUS/TSW2	Addressable White Sounder & Base
NOTE: All the Model References above are loop powered addressable devices, supplied with a low profile base. An optional deep base (below) can be purchased separately to allow surface wiring to be terminated directly into the base.	
29-982-75	Red Deep Base
29-983-76	White Deep Base

Deep Base Dimensions (mm)



Talking Sounder Message Set

Message Number	Description	Preamble Tone	Duration(s)	Message Text
1	Female evacuation V1	Warble	9.4	Attention please, attention please. Fire has been reported in the building, please leave the building immediately by the nearest exit
2	Female alert	Pulse	7.5	May I have your attention please, an incident has been reported in the building please listen for further instructions
3	Female evacuation V2	Warble	7.5	Attention, attention. This is an emergency. Please leave the building by the nearest available exit
4	Female test	Warble	3.5	This is a test message, no action is required
5	Male evacuation V2	Warble	8	Attention, attention. This is an emergency. Please leave the building by the nearest available exit
6	Male alert	Pulse	8.1	May I have your attention please, an incident has been reported in the building. Please listen for further instructions
7	Male test	Warble	4	This is a test message, no action is required
8	Bell (accessed via msg 14/15)	None	Until Stopped	None
9	No tone or message	None	0	Used by control panel to allow user to 'turn off' sounder part of a talking sounder beacon
10	Bespoke message	W,P or C	max 10 sec	Client defined (must be stated when ordering sounder) additional cost
11	Warble electronic tone	None	Until Stopped	None
12	Pulsed electronic tone	None	Until Stopped	None
13	Continuous electronic tone	None	Until Stopped	None
14	Pulsed bell	None	Until Stopped	None
15	Continuous bell	None	Until Stopped	None

The preamble tone is played for 4 seconds, then a 1 second silence, then the message, then silence until the sequence is re-triggered. This sequence trigger is panel adjustable; preset to 15 seconds.

Company Policy is one of continuous improvement, we reserve the right to change specification without prior notice

Protec Fire Detection Plc, Protec House, Churchill Way, Nelson, Lancashire, BB9 6RT

Tel: 01282 717171 Fax: 01282 717273 Web: www.protec.co.uk Email: sales@protec.co.uk