

METAL SOUND PROJECTORS

➤ CELL20T/EN ➤ CELL20T/ENC

EN54-24



TECHNICAL SPECIFICATIONS

EN54-24:2008

Certificate No: 0359-CPD-0164 TYPE B

ELECTRICAL

Rated power, Watts	20
Tappings 100 volt line, Watts	20/10/5/2.5
Transformer Impedance, Ohms 100V	500/1k/2k/4k
Tappings 70.7 volt line, Watts	10/5/2.5/1.25
Driver impedance, Ohms	8
Effective Frequency Range, Hz (BSEN60268-5)	110 - 16k
S.P.L. @ 4m, 1watt, dB, 1/3 Octave, 1KHz	66
S.P.L. @ 1m, 1watt, dB, Test Signal Bandwidth 100Hz-10kHz	88
S.P.L. @ 4m, Full power, dB, 1/3 Octave 1KHz	78
S.P.L. @ 1m, Full power, Test Signal Bandwidth 100Hz-10kHz	101
Dispersion at 1k/2k Hz, Degrees	180/120

ENVIRONMENTAL

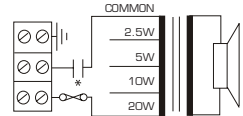
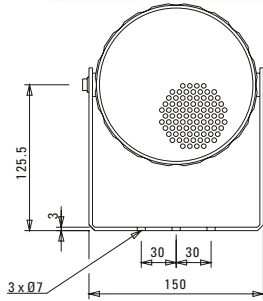
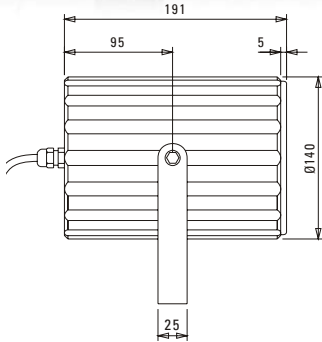
IP-Rating	33
Max/Min Amb Temp	70°/-25°C
Relative Humidity	≤95%

MECHANICAL

Dimensions, front dia x D, mm	140 x 191
Net Weight, Kgs	2.3
Colour (Unless Specified)	RAL9016
Material	Aluminium with Stainless Steel hardware. Aluminium grill
Mounting	Aluminium U bracket

➤ CELL20T/ENC is supplied with capacitor for DC line monitoring

➤ **CELL20T/EN**
 ➤ **CELL20T/ENC**
METAL SOUND PROJECTORS



CELL20T/EN
 CELL20T/ENC
 *with capacitor

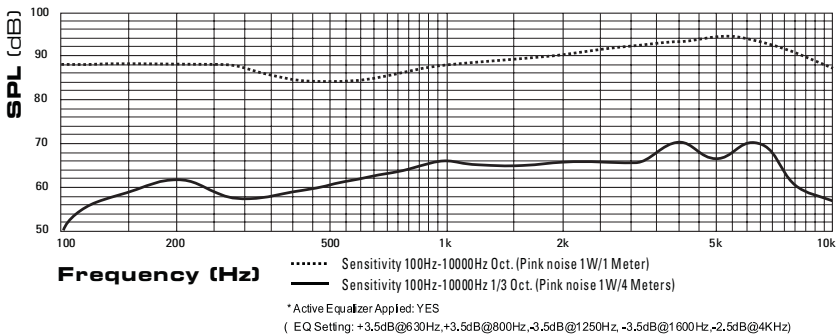
**WITH TRANSFORMER:
 100V/70V LINE**

	WHITE WIRE PLUS TAPPING				BLACK
100V	2.5W	5W	10W	20W	COM
70V	1.25W	2.5W	5W	10W	COM
IMP (Ω)	4K	2K	1K	500	

DISPERSION ANGLES

		HORIZONTAL	VERTICAL
1 OCT. PINK NOISE	500 Hz	180°	180°
1 OCT. PINK NOISE	1K Hz	180°	180°
1 OCT. PINK NOISE	2K Hz	120°	120°
1 OCT. PINK NOISE	4K Hz	80°	80°

FREQUENCY RESPONSE



The CELL20T/EN & CELL20T/ENC have been tested for 100 hours at a maximum power of 20W. Both units did not deviate by more than +/- 3dB. The frequency response and impedance curves remained constant throughout the test period. All results are in full compliance with the requirements of EN54-24



Penton UK Ltd

Unit 2 Teville Industrials | Dominion Way | Worthing | West Sussex | BN14 8NW
 T: +44 (0)1903 215315 | F: +44(0)1903 215415 | E: SALES@PENTONUK.CO.UK

www.pentonuk.co.uk

