

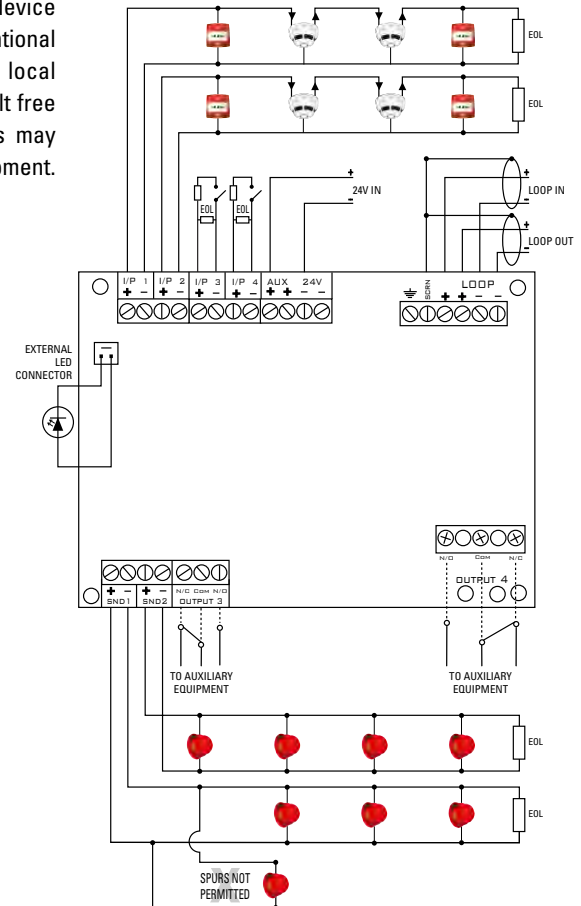
6000/410 Auxiliary Powered 4 Way Zone Alarm I/O Interface

- 2 x Monitored Detection Zones
- 2 x Monitored Inputs
- 2 x Monitored Alarm Outputs
- 2 x Volt Free Changeover Contacts
- Auxiliary 24vDC Powered
- DIN Rail Mounted
- Integral Short Circuit Isolator
- Protec Algo-Tec 6000 Protocol



The Protec 4 way input/output interface is a auxiliary powered input / output device providing 2 local zones of conventional detectors, 2 monitored inputs, 2 local monitored alarm outputs and two volt free changeover contacts. The contacts may be used to connect to ancillary equipment.

Wiring Diagram



Technical Specification

Loop protocol	Protec Algo-tec™ 6000 MX1
Loop isolator fitted	Yes, on board (consult Protec DEL2110 for details)
Loop voltage range	18 to 28V peak loop
Number of loop addresses used	4 maximum, user and build configurable
24V Auxiliary input voltage range	18 to 28V dc
Environmental operational limits	-10 to 50°C (maximum 95% RH no condensation or icing)
Loop quiescent current (24V loop peak)	0.6mA
Loop alarm current (average)	0.6mA
Zone short circuit current (24V)	26mA peak ± 2mA
Zone end of line requirements (I/P 1 & I/P 2)	Resistive - 8.2k ±5% ¼W, Capacitive - 100µ F ±20% in series with 22Ω ±5% ¼W
Input cabling requirements	Maximum cable resistance 6Ω per conductor Maximum cable capacitance 0.2µ F between cable conductors
Zone quiescent current	500µ A maximum (10 Protec 3000 detectors per zone)
Zone reset time	2 seconds, with active zone discharge
Manual Call Point requirements	Must be fitted with a series 330Ω or 180Ω resistor
Zone short circuit threshold	Below 5% of supply voltage
Zone fire threshold	Below 70% of supply voltage
Zone resistive open circuit threshold	Above 92% of supply voltage
Monitored input end of line details	End of line resistor value 47kΩ 1/4W ±5%
Monitored input short circuit threshold	Below 230Ω
Monitored input fire threshold	Below 7.85kΩ
Monitored input pre-alarm threshold	Below 32kΩ (Input 3 only)
Monitored input open circuit threshold	Above 111kΩ
Sounders supported	Protec 3000 series
Sounder circuit end of line	10kΩ ¼W ±5%
Sounder circuit cable requirements	Maximum cable resistance depends on Volt drop calculations Maximum cable capacitance 0.1 F between cable conductors.
Sounder short circuit fault threshold	Below 2kΩ
Sounder open circuit fault threshold	Above 18kΩ
Sounder current limit (maximum)	1.6A
Sounder circuit fuses	20mm x 5mm 1.6A Quick Blow
Clean contact output details	1 Single pole changeover rated for 2A maximum at 24V dc (non inductive) 1 Single pole changeover rated for 5A maximum at 230V ac (non inductive)
Weight	245g (including din rail housing, no backbox, 4 way build)
LED Indicator	Use only high brightness LED (Protec stock code: NK 02-676-46)

Company Policy is one of continuous improvement, we reserve the right to change specification without prior notice

Protec Fire Detection Plc, Protec House, Churchill Way, Nelson, Lancashire, BB9 6RT

Tel: 01282 717171 Fax: 01282 717273 Web: www.protec.co.uk Email: sales@protec.co.uk