

XB8 - Intrinsically Safe Xenon Beacon

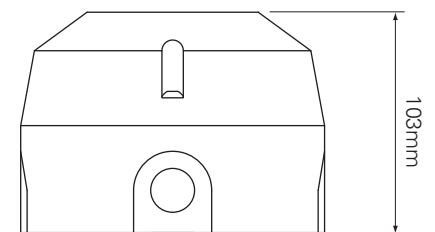
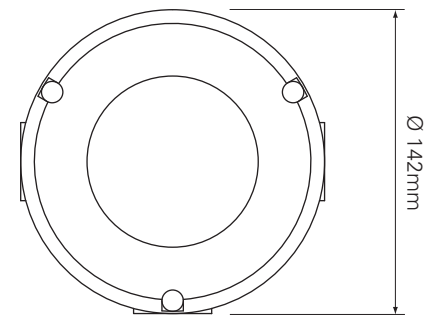
A rugged intrinsically safe xenon beacon constructed from corrosion resistant plastic, allowing it to cope with the harsh conditions found offshore and exposed onshore environments.

The product must be used with an appropriate IS barrier or isolator

ATEX IECEx GOST

Technical Specification

Voltage	24Vdc (nominal via suitable barrier)
Current	55mA max
Flash Power	0.4j / 1Hz
Temperature	- 55°C to + 60°C
Protection	IP66 / 67
Construction	UV stabilised GRP
Weight	1.4Kg
Colour	Red
Lens Colour	Red, amber or clear



Features

- Exia, Zone 0, Zone 1 and Zone 2 use
- Xenon beacon
- GRP/Polycarbonate housing
- -55°C to + 60°C operating temperature range

Benefits

- Suitable for intrinsically safe applications where Zone 0, 1 or 2 conditions exist
- Low power xenon flash to suit the power restrictions of IS operation
- Corrosion free low maintenance construction
- Can be used in a wide variety of harsh environments with extremes of temperature

Reference

XB8BC024CNR 673104FULL

Catalogue No.

PX213010

Description

XB8 Xenon Beacon, ATEX ExII 1G, Exia IIC, T4, Zone 0/1/2, 24Vdc, 0.5 joules, Clear Lens, Red Finish

XB8BC024SNR S=AMBER

PX213009

XB8 Xenon Beacon, ATEX ExII 1G, Exia IIC, T4, Zone 0/1/2, 24Vdc, 0.5 joules, Amber Lens, Red Finish