

BM 9804FM

MULTI-ZONE EMERGENCY FIREMEN MICROPHONE



DESCRIPTION

The BM 9000 series microphone consoles for announcements are part of the DXT 9000 digital system, and can be directly connected to all master units. User can send announcements to different pre-configured zones or groups of zones, recall matrix configurations, intervene on sound levels, select music sources in different areas, send routine messages or alarms stored in the system memory or explore other possibilities.

MAIN FEATURES

- Complete self-diagnostic of the unit in compliance with EN 54-16/2008 standard.
- Up to 8 microphone consoles can operate on each dedicated connection line. Their configuration in terms of access can be set by the PC system interface.
- Programmable function keys for announcements or commands.
- Power supply voltage from the Flexicomm BUS or from 24V DC local input.
- Interactive LCD backlit display associated to an encoder that indicates which operations are active and recovers system information.
- Alert and evacuation indications.
- Pre-recorded message activation.
- Dedicated "chime" key.
- Wall-mounted metallic box (color: red, RAL 3000) with glass.
- Handheld dynamic microphone with momentary switch, same function of the PTT button.

MAIN APPLICATIONS

- All DXT 9000 applications

SPECIFICATIONS

Microphone type:	dynamic
Polar patter:	omnidirectional
Output impedance:	500 Ω \pm 30% (1 kHz)
Microphone sensitivity:	- 70 dB \pm 3 dB (0 dB=1V/ μ bar, 1 kHz)
Frequency response:	300 Hz \div 6 kHz (- 3 dB)
Box dimensions:	360 x 360 x 129 mm
Net weight:	6.9 kg (15.2 lbs)

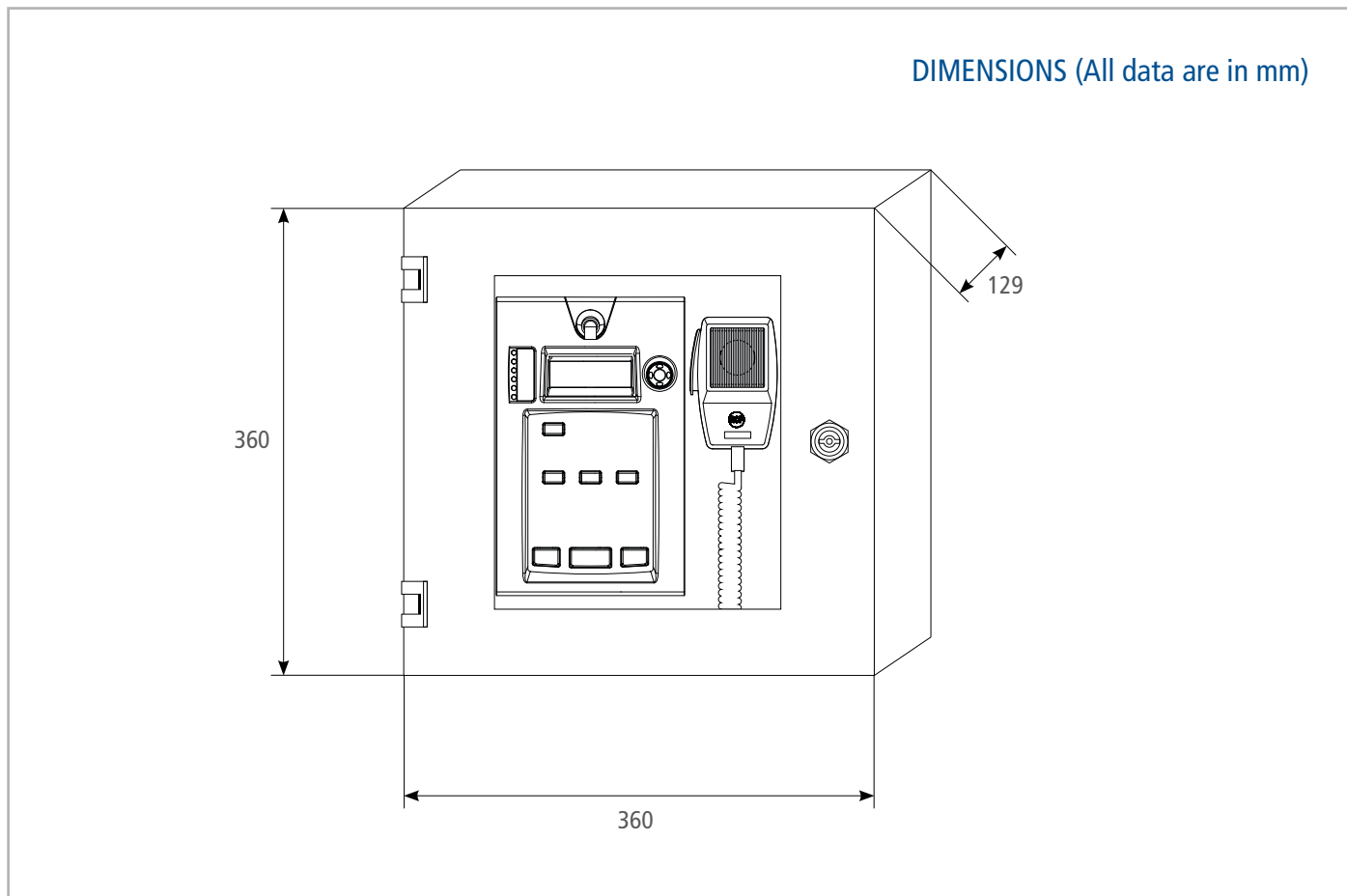


BM 9804FM

PART NUMBER

143.80.038

DIMENSIONS (All data are in mm)



CERTIFICATIONS

- EN 54-16/2008
- CE: it complies with European Community 2006/95/CE LVD and 2004/108/CE EMC.
- Electromagnetic immunity according to IEC EN 55013+A1+A2, IEC EN 55020+A2+EC, EN 61000-3-2, EN 61000-3-3+A1.
- Electronic apparatus safety requirements according to IEC EN 60065:2002.

www.rcf.it

