

- Self Contained Supply
- Deep Discharge Battery Protection
- Switch Mode Technology
- Single-pole Volt Free Changeover Fault Relay
- Power and Fault Indications



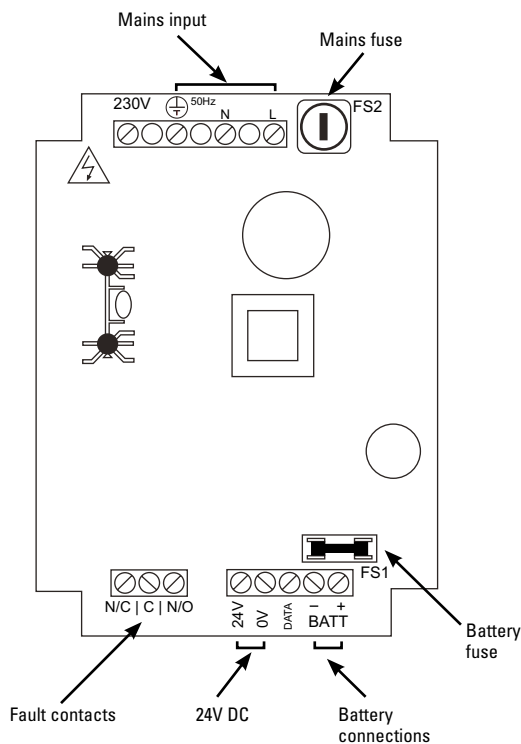
The Protec 9000/BC1 is a 24V dc 1A intelligent power supply and battery charger designed to be used in conjunction with two 12V 3.3Ah Sealed Lead Acid batteries. The charger continuously monitors various critical levels and gives a fault warning if any of the levels are out of specified limits.

A 12V 1A power supply is also available in the same enclosure. (normally used with Redcare systems) Stockcode: N 67-155-76.

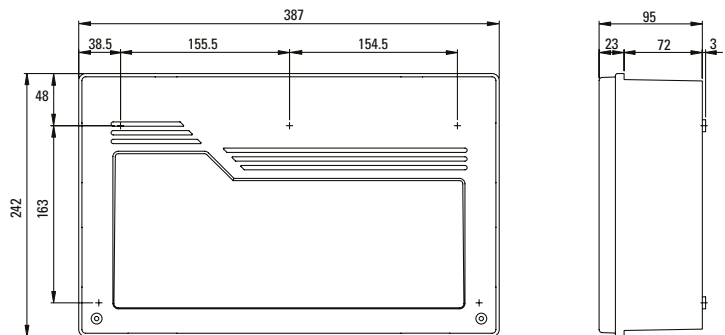
Technical Specification

Mains Input Voltage	230V ac +/- 10%
Mains Supply Frequency	40Hz to 70Hz
Mains Input Current	400mA maximum (fused at 1A HRC 20mm x 5mm)
Output Load	1 output rated at 1A (including battery charge current)
Output Voltage	25 – 29V dc with mains present. Battery voltage when mains failed
Output Ripple	300mV maximum peak to peak at full output load
Battery Charge Voltage	27.3V dc at 20°C, temperature compensated at -40 mV/°C
Battery Charge Current	250mA nominal
Maximum Battery Internal Resistance	2 Ohms
Battery Fault Levels	Undervoltage - 22V dc (fault relay operates). Overvoltage - 28.5V dc (fault relay operates)
Battery Low Voltage Cutoff	18.5V dc (load removed from batteries)
Battery Monitoring	Compliant with EN54 Part 4
Current Consumption From Batteries	3mA maximum 30 seconds after mains failure From Batteries 0.5mA maximum when low volt disconnect active
Maximum Battery Capacity	12V 3.3Ah (two connected in series)
Battery Fuze Rating	1.6A (fast acting 20mm x 5mm)
Environment	0-50°C ambient (95% R.H non-condensing)
Fault output	Changeover contacts rated at 1A 30V dc.
Enclosure	ABS Plastic. 4 or 3 point fixing

Connection Details



Dimensions (mm)



Company Policy is one of continuous improvement, we reserve the right to change specification without prior notice

Protec Fire Detection Plc, Protec House, Churchill Way, Nelson, Lancashire, BB9 6RT

Tel: 01282 717171 Fax: 01282 717273 Web: www.protec.co.uk Email: sales@protec.co.uk