

Technical Data – Exd IR² Flame Sensor

Mechanical

Housing Material:	Copper Free Aluminium Alloy LM25
Housing Colour:	Red
Dimensions:	See Fig. 9
Weight:	2.5kg
Cable Gland Entries:	3 x 20mm

Electrical

Supply Voltage:	14 to 30Vdc
Supply Current:	See DIL switch settings
Power Up Time:	2 seconds max.
Test Signal Voltage:	14 to 30Vdc
Relay Contact Ratings:	
Current	1.0Amp. Max.
Voltage	50Vdc. Max.
Resistive Loads Only	Power 30W Max.

Performance

Range:	- Class 1 (Sensitivity Setting - Class 3 see EN54-10)	0.1m ² n-heptane at 25m 0.1m ² n-heptane at 12m
Field of View:		90° min. Cone
Spectral Response:	IR	0.75 to 2.7µm
Sensitivity: (See note 2)		High = Class 1 Low = Class 3

Environmental

ATEX Marking	II 2GD Ex d IIC T4 Gb Ex tb IIIC T135°C Db IP66 A21
IECEX Marking	Ex d IIC T4 Gb Ex tb IIIC T135°C Db IP66 A21
Operating Temperature:	- 10°C to +55°C
Storage Temperature:	- 20°C to +65°C
IP Rating:	IP66
EMC Immunity / Emissions:	EN61000-6-1, EN61000-6-2, EN61000-6-3, EN61000-6-4, EN 50130-4, EN 55022

See Flame Detector Installation Guides for more details

Product Approvals

Baseefa ATEX Certificate No.	Baseefa08ATEX0270
Baseefa IECEx Certificate No.	IECEX BAS 08.0073
LPCB Standard Certificate No.	EN54-10 729a/10
CPD Certificate No.	0832-CPD-0824

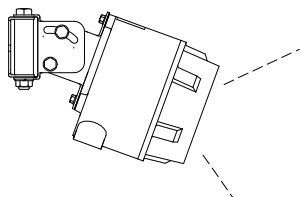


Fig. 8 Adjustable Mounting Part number: 007127

- EN54: Part 10 Fire detector and fire alarm systems; Part 10: Flame detectors – point detectors.
- Has been tested and approved at Class 1 but was not assessed for Class 3.
- Although this sensor is not affected by normal daylight conditions, sunlight should be prevented from falling directly on to the IR optics.

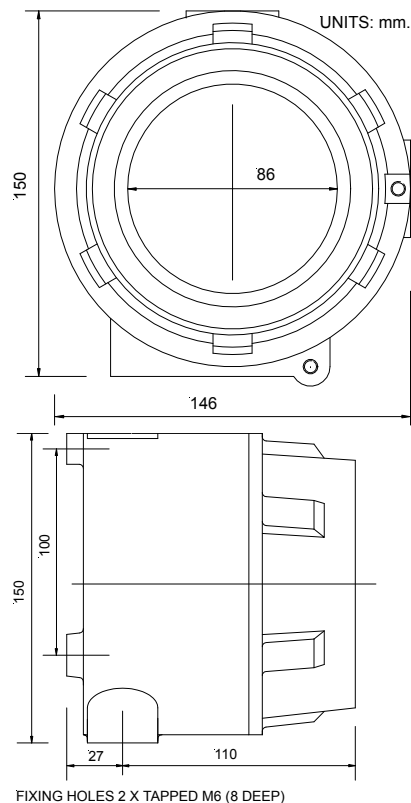


Fig. 9 Dimensions – IR² Flame Sensor

Selectable Options	DIL Switch Settings	
	1	2
Relay RL2 Function:		
RL2 Off	0	0
RL2 Off	1	0
IR fire or pre-alarm	0	1
Fault (Energised if OK)	1	~ 1
Alarm Current: [RL1 Flame Relay]		
3/9mA RL1 Only, 4/8/14mA RL2 & RL1	0	0
4-20mA, 4/20mA, No Relays	1	0
/ Or 8-20mA, 8/20mA, & Relays	0	1
- Proportional 8/28mA, & Relays	1	~ 1
Output Mode:		5
Non-latching (-)	0	
Latching (/)	~1	
Response Time:		
Slowest ≈ 8s	0	0
Medium ≈ 4s	1	~ 0
Fast ≈ 2s	0	1
Very Fast ≈ 1s	1	1
Sensitivity:		8
Low	0	
High	~ 1	

Factory settings ~

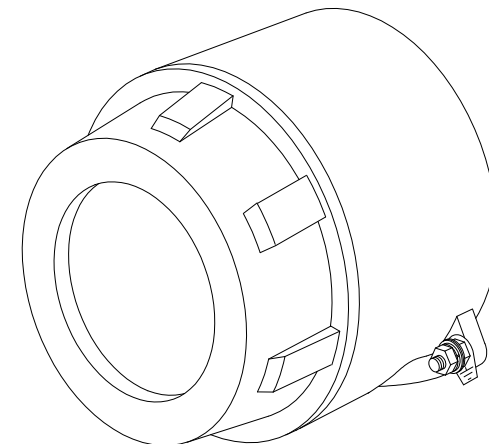
Data Sheet

016511
007127

FLAMEPROOF (Exd) IR² FLAME SENSOR
STAINLESS STEEL ADJUSTABLE MOUNT (Option)

Features

- ATEX & IECEx certified:
 - II 2GD Ex d IIC T4 Gb
Ex tb IIIC T135°C Db IP66 A21
[Zones 1, 21, 2 and 22]
- Class 1 Sensitivity to EN54-10
Detects 0.1m² fire @ 25m
- High Optical Interference Immunity
- Selectable Output Options
Conventional 2 wire
4-20mA
Latching or Non-latching
Relay Contacts;
Fire/Fault, Pre-alarm
- Selectable Response Speed
- Optical Self Test
- Low Power Consumption
- LPCB & CPD Approved to EN54-10



Operating Principles

The sensor responds to low-frequency (1 to 15 Hz.) flickering IR radiation emitted from flames during combustion.

IR flame flicker techniques enable the sensor to operate through a layer of oil, dust, water vapour, or ice.

Most IR flame sensors respond to 4.3µm light, emitted by hydrocarbon flames. By responding to 1.0 to 2.7µm light emissions from fires almost all flickering flames can be detected. Gas fires not visible to the naked eye e.g. hydrogen may also be detected.

The dual IR photo-electric detectors (IR²), responding to neighbouring IR wavelengths, enable it to discriminate between flames and spurious sources of IR radiation.

The combination of filters and signal processing allows the sensor to be used with a very low risk of false alarms in difficult situations characterised by factors such as flickering lights.

Electrical Connections

The sensor can be connected to a two-wire circuit supplying 14V to 30V dc. The sensor is connected to the supply via terminals 1(+IN) and 2(-IN) under the front terminal cover. Connections to the sensor are polarity sensitive.

A remote sensor test input is available on terminals 3(+R) for +IN and 4(-R) 0V. When a 14V to 30V dc supply is applied to this input IR test sources activate within the sensor and a flame-detected state will be outputted. See Fig. 1

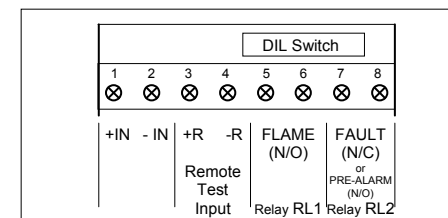


Fig. 1 Connection Terminals (Front Cover Removed)

Flame Detection Characteristics

The flame sensor should be positioned at the perimeter of the room, pointing directly at the area of the anticipated flame or at the centre of the area to be protected. The further away the flame is from the sensor the larger the fire has to be, with detection beyond 50m becoming unpredictable. An n-heptane flame with a base area of 0.1m² will be detected on the sensor centre line at 25m, with the sensitivity set high for class 1 performance. See Fig. 2

If the sensitivity switch were set to low, for class 3 performance, the same 0.1m² flame would be detected at 12m.

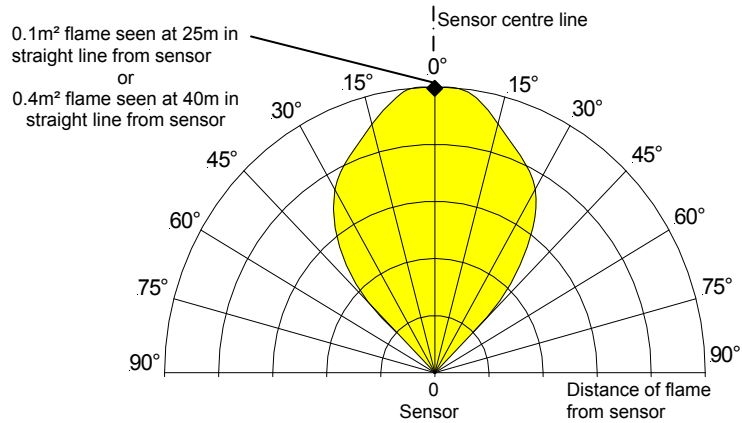


Fig. 2 Sensor horizontal angle of view and range for n-heptane fire (yellow sooty flame) - IR² Flame Sensor, sensitivity set high for class 1 performance

To meet the requirements of EN54:10 clause 5.1.2, all testing has been performed at the highest sensitivity (class1) setting.

The polar diagrams show that the sensor sensitivity is at its greatest along the central axis. The variation in relative range against viewing angle is show as a proportion of peak performance. The diagrams are sections through the sensors conical field of view.

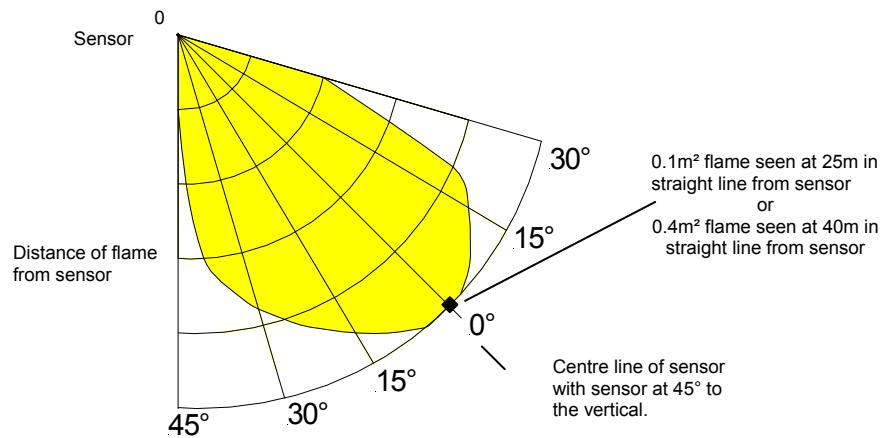


Fig. 3 Sensor vertical viewing angle and range - IR² Flame Sensor, sensitivity set high for class 1 performance

To meet the requirements of EN54:10 clause 5.4, were the ratio of the response points D_{max}:D_{min} should not exceed 1.41. The horizontal viewing angles α_{max} should not exceed $\pm 30^\circ$ and the vertical viewing angles for α_{max} should not exceed $+20^\circ$ ($\beta=45^\circ, 90^\circ, 135^\circ$) or -30° .

Alarm Current Output Values (Latching)

When the sensor detects a flame the sensor supply current value (4-20mA or 8-28mA) will increase.

The sensor is shipped with the internal DIL switch (5) set to give a latching alarm current. Normally the current required by the sensor is 4mA or 8mA at 24Vdc with no flame in view. When a flame is in view, the supply current value will increase to 20mA or 28mA, the fire relay RL1 will energise and red fire LED will illuminate.

The supply to the sensor has to be broken in order to reset the sensor.

Values below 3.0mA are an indication of a fault conditions. See Fig. 4

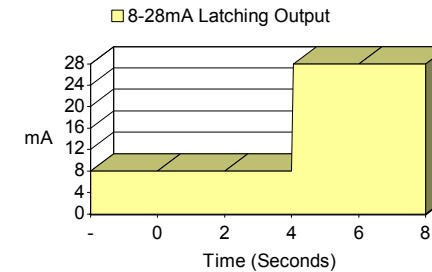


Fig. 4 Typical Response on seeing Flame - IR² Flame Sensor

Once illuminated the red Fire LED and output value are held for 5 seconds after the last flame has been seen, after which the output value decrements back to 4 or 8mA. See Fig. 6

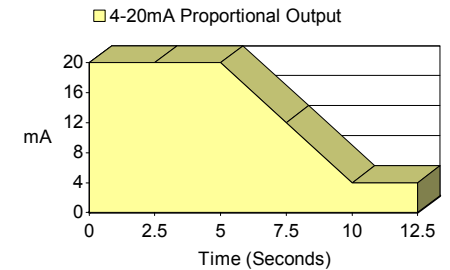


Fig. 6 Typical Response after last Flame seen - IR² Flame Sensor

Proportional Output Values (Non-latching)

When the sensor sees any flame flicker the proportional values of (4-20mA or 8-20mA) will increase.

The sensor is set to give a proportional value of 4mA or 8mA with no flame in view. The value increments when flame flicker pulses are seen.

With an output value approaching 20mA the fire LED will illuminate.

Values below 3.0mA are an indication of a fault conditions. See Fig. 5

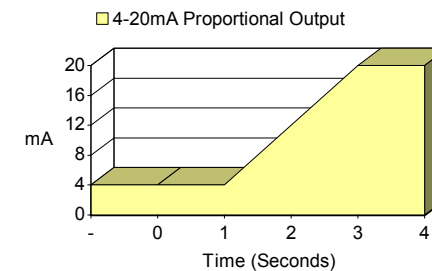


Fig. 5 Typical Response on seeing Flame - IR² Flame Sensor

Proportional output values between 4 or 8mA and 20mA can be used to provide an early warning of fire. These values hold only for 3 seconds from the last flame sighting. See Fig. 7

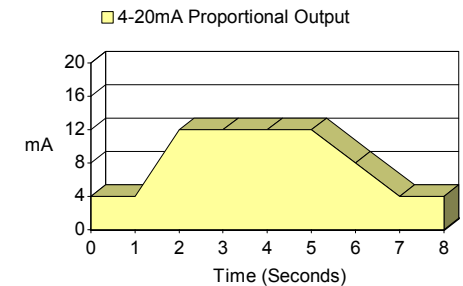


Fig. 7 Typical Response to Burst of Flame - IR² Flame Sensor