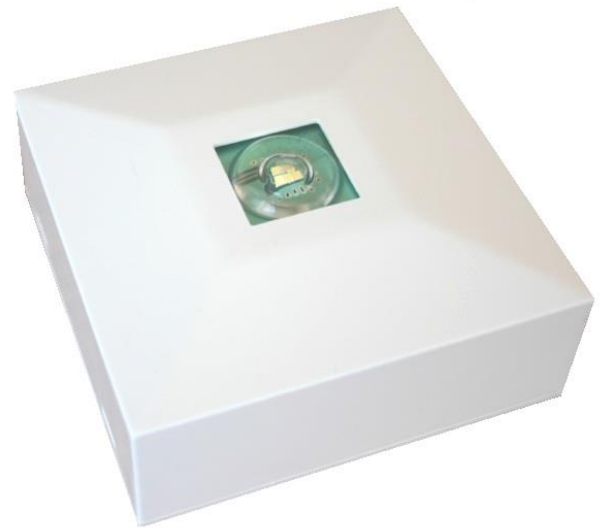
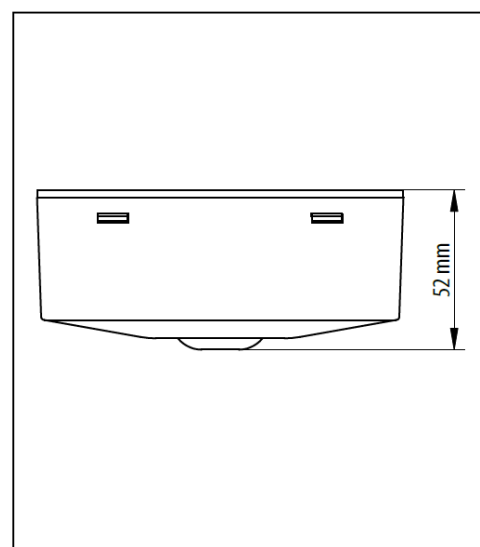
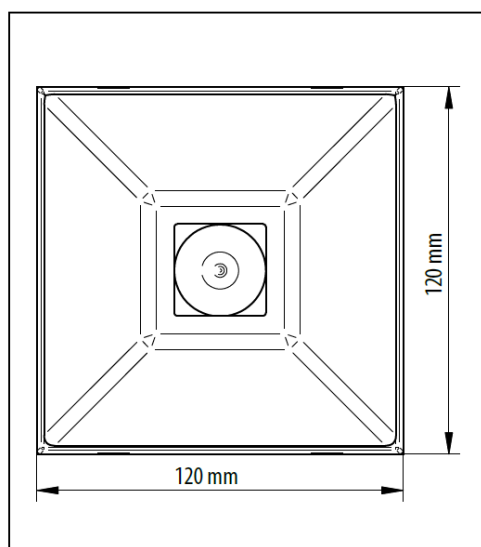




CLEVER LIGHT CL-313 R/F SLAVE/CB



Luminaire	Addressable with central battery
Mounting	On ceiling
Lamp	LED/50 000h
Lamp power	3W
Warranty	2 years repair warranty
Standby duration	-
Housing	Polycarbonate
Color of housing	White
Operation	Standby
Mains supply	120-240V 50-60 Hz
Input current	30mA
Battery	Central battery
Protection category	IP20
Certification	CE, UL
R/F	R-circular emitting lens, F-for corridors



CL-313R	Escape route 2m wide 1 lux min				Open (anti-panic) area 0.5 lux min			
Mounting height (m)	Transverse to wall	Transverse to transverse	Axial to wall	Axial to Axial	Transverse to wall	Transverse to transverse	Axial to wall	Axial to Axial
2.5	2.56	9.81	2.58	9.94	5.29	16.64	5.78	16.74
3	2.32	7.37	2.3	7.38	3.68	15.88	3.69	15.3
4	0	6.91	0	6.82	3.45	10.53	3.41	10.47
6	0	0	0	0	0	6.81	0	6.85

CL-313F	Escape route 2m wide 1 lux min				Open (anti-panic) area 0.5 lux min			
Mounting height (m)	Transverse to wall	Transverse to transverse	Axial to wall	Axial to Axial	Transverse to wall	Transverse to transverse	Axial to wall	Axial to Axial
2.5	4.02	9.91	2.4	6.27	4.95	12.55	3.13	7.88
3	4.38	10.62	2.48	6.62	5.31	13.28	3.31	8.34
4	5.09	12.07	2.42	6.97	6.03	14.73	3.48	9.25
6	1.41	12.39	2.15	6.84	7.46	17.6	3.42	9.96
8	0	4.93	0	3.77	3.69	17.47	3.33	9.71
10	0	0	0	0	0	13.2	0	6.86