



SIGNALINE

Signaline WIB

The Signaline WIB Interposing Box provides a convenient means of interfacing the Signaline WDM-KM Control Module with a Signaline CB200W Water Control Panel. One Signaline WIB Interposing Box is required per zone. The Signaline CB200W Control Panel is available with up to 8 zones. It is supplied with appropriately sized cable glands, terminal block and a 680 ohm resistor.

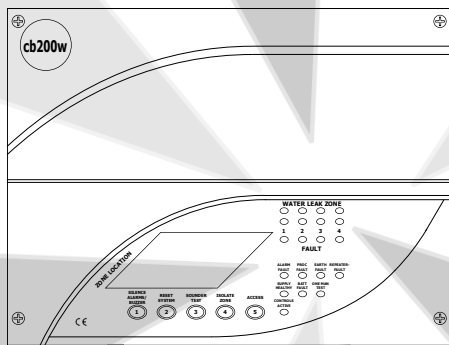
It is also a quick and efficient method to interface the 6 core data cable from the Signaline WDM-KM Control Module with building management systems, Apollo XP95 or Hochiki ESP protocol addressable systems .



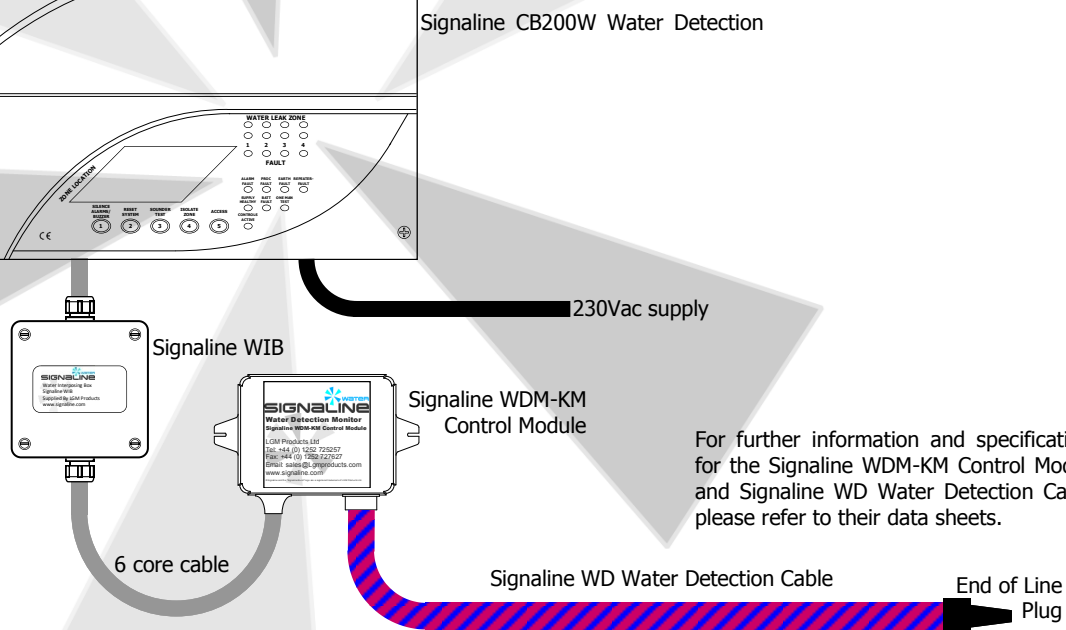
IP Rating	66
Dimensions (excluding cable glands)	94 x 94 x 57 mm
Material	Impact & flame resistant polycarbonate
Lid Seals	Non ageing polyurethane
Colour options	RAL 7035 Grey
Chemical resistance	Resistant to most acids, alkalis and oils
Operating Temp	-35°C to 120°C

Compatible Apollo XP95 & Hochiki ESP monitoring devices:

Apollo zone monitoring unit p/n 55000 845 APO
 Hochiki single input module p/n CHQ-SIM



Typical System Configuration



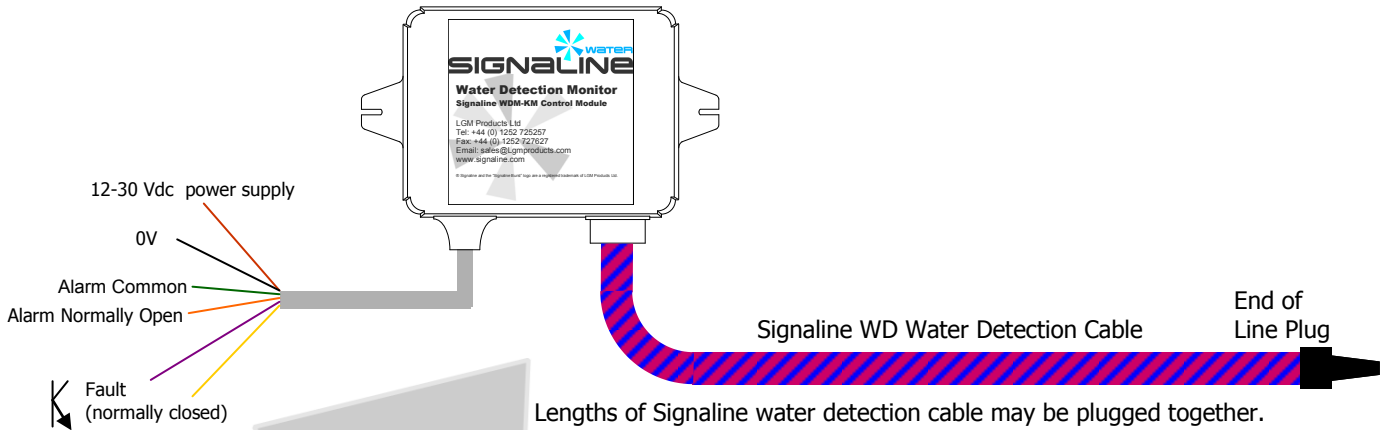
For further information and specifications for the Signaline WDM-KM Control Module and Signaline WD Water Detection Cable, please refer to their data sheets.

LGM PRODUCTS LTD
UNIT 15 RIVERSIDE INDUSTRIAL PARK
FARNHAM
SURREY GU9 7UG
UNITED KINGDOM

TEL +44 (0) 1252 725257
FAX +44 (0) 1252 727627
E-mail sales@Lgmproducts.com
www.signaline.com

Signaline WIB

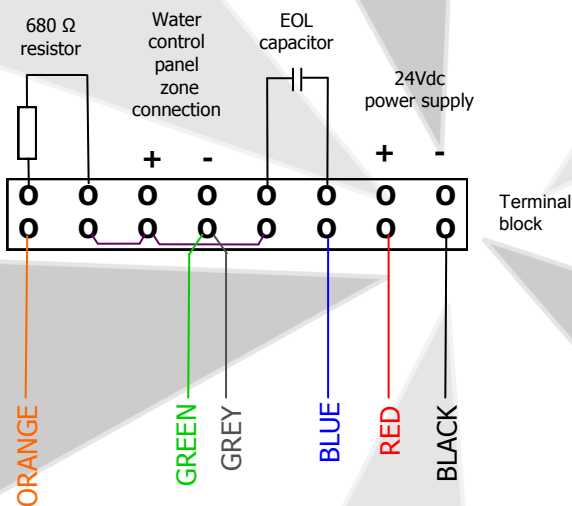
Signaline WDM-KM Control Module



Lengths of Signaline water detection cable may be plugged together.

A 10 metre pre-terminated non-sensing leader cable is available to connect the control module to the start of the sensor cable.

WIB Interface box terminal wiring Signaline WDM-KM Control Module to Signaline CB200W Control panel



6 core data cable from Signaline WDM-KM water control module

Signaline WIB Interface Box internal connections

Orange	Water detected alarm. Non-latching
Green	Alarm. Normally open volt free contact rated 1A @ 30Vdc (resistive load)
Grey	-ve opto-isolated volt free fault contact
Blue	+ve opto-isolated volt free fault contact. Fault contact is normally closed opto-isolated output (opening on power loss or open circuit of detection cable). Contact rated 20mA @ 48Vdc (resistive load)
Red	12 to 30Vdc power supply
Black	0Vdc supply

Important Note: The fault output circuit is not current limited. Exceeding the specified current limit on the fault output will damage the fault output circuit beyond repair.

LGM PRODUCTS LTD
UNIT 15 RIVERSIDE INDUSTRIAL PARK
FARNHAM
SURREY GU9 7UG
UNITED KINGDOM

TEL +44 (0) 1252 725257
FAX +44 (0) 1252 727627
E-mail sales@Lgmproducts.com
www.signaline.com