

- FAST™ Addressing
- Integral Short Circuit Isolator
- Loop Powered
- Adjustable from 7.5 to 3m Room Coverage Volume
- 3 metres (m) Mounting Height
- Adjustable Flash Rate
- Approved to EN54 Part 23:2010



The Protec 6000/VAD/C Addressable ceiling mounted visual alarm device is a loop driven, addressable high intensity VAD designed to EN54-23:2010

The device is categorised for installation at a height of up to 3m and coverage diameter of 7.5m C-3-7.5.

For smaller areas, the device can be switched down from 7.5m to 3m thus reducing power consumption and maximising the number of devices on the loop. The low power modes are software programmable.

The product has a unique lens that distributes the white light in a cylindrical shape to achieve the required illumination of 0.4lux over the entire coverage area in accordance with EN54-23.

The design is based on LED technology for long life, reliability and low power consumption.

Compliant with DDA legislation, this high intensity LED VAD warns those with hearing impairments or in noisy environments.

The device is available in a white or red housing with a white flash rate of 1 or 0.5Hz.

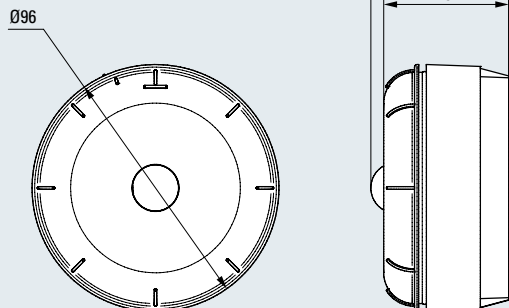
**Order Codes**

6000/VAD/C/RED

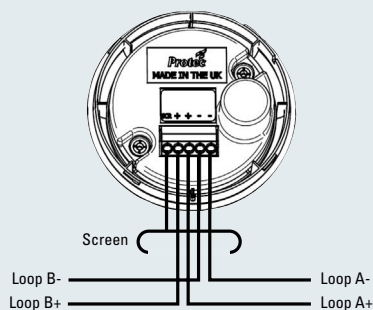
6000/VAD/C/WHITE

# Technical Specification

## Dimensions (mm)



## Wiring Diagram



## Technical Specification

Environment	-10 to 50°C
Ingress Protection	EN54-23 Type B Outdoor + IP65
Applicable Standards	EN54-23:2010
Weight (excluding base)	122g
Loop Powered	Yes
Voltage	18 - 28V
Loop Standby Load	0.8mA
Loop Peak Alarm Load	14.5mA
Mounting Height (x)	3 metres
Coverage(y)	7.5m configurable to 5m or 3m
Coverage Volume Code	C-3-7.5
Flash Rate	1 or 0.5Hz white flash
Isolator	Yes
Mounting	Ceiling

## Design Guidance

Protec VAD's have been approved to BS EN 54-23 and use the rating codes below:

**C-x-y** (eg C-3-7.5)

Where:

- C** is ceiling mounted
- x** is the maximum height (M)
- y** is the illumination diameter for the cylindrical volume (M)

BS EN 54-23 approved VAD's are approved as ceiling mounted and must provide a minimum illumination level of 0.4 lux for the stated volume

## Table A: Direct Viewing

Coverage volumes for various ambient light levels (lux)

BS EN54-23 Rating	C-3-7.5
Mounting Position	Ceiling
Less than 100 lux	21dia
100 - 200 lux	18dia
200 - 300 lux	14.3dia
300 - 400 lux	10.5dia
400 - 500 lux	8.3dia
500 - 600 lux	6.8dia
600 - 700 lux	5.3dia
700 - 800 lux	3.8dia

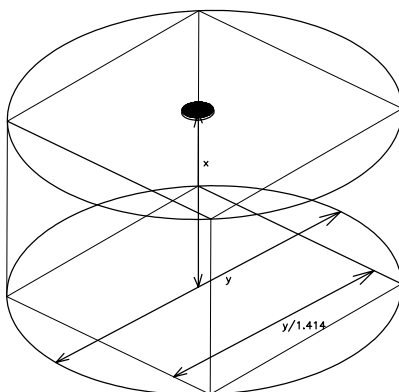
## Table B: Indirect Viewing

Coverage volumes for various ambient light levels (lux)

BS EN54-23 Rating	C-3-7.5
Mounting Position	Ceiling
Less than 100 lux	9.8dia
100 - 200 lux	9dia
200 - 300 lux	7.5dia
300 - 400 lux	6dia
400 - 500 lux	4.5dia
500 - 600 lux	3.8dia
600 - 700 lux	*
700 - 800 lux	*

Coverage volumes height, diameter, length and width dimensions are in metres.

\* Where ambient light levels may, at any time, exceed 600 lux, direct viewing is preferred (CoP 001 clause 4.6.9.4)



## Model References

Product Code	Colour Options
6000/VAD/C/RED	Red Body (White Flash)
6000/VAD/C/WHITE	White Body (White Flash)
<b>NOTE:</b> All the Model References are loop powered addressable LED VAD's, supplied with a low profile base. An optional deep base can be purchased separately to allow surface wiring to be terminated directly into the base.	
29-982-75	Red Deep Base
29-983-76	White Deep Base

## Deeper Base Dimensions (mm)

